



United Technologies

INSTALLATION, OPERATION AND MAINTENANCE INSTRUCTIONS



Variable speed twin-screw liquid chillers

30KAV 500 - 1100

Nominal cooling capacity: 493 - 1079 kW - 50 Hz



CONTENTS

1 - INTRODUCTION	4
1.1 - Safety considerations related to protection devices.....	4
1.2 - Refrigerant safety considerations.....	5
1.3 - Installation safety considerations.....	7
1.4 - Maintenance safety considerations.....	7
1.5 - Repair safety considerations.....	8
2 - RECEIPT OF GOODS	9
2.1 - Check equipment received.....	9
3 - HANDLING AND POSITIONING	10
3.1 - Moving.....	10
3.2 - Positioning.....	10
4 - DIMENSIONS, CLEARANCES	11
4.1 - 30KAV 500 & 550, without hydraulic module.....	11
4.2 - 30KAV 500 & 550, with hydraulic module.....	11
4.3 - 30KAV 600 & 650, without hydraulic module.....	12
4.5 - 30KAV 500, 550, 600 & 650 opt. 119; & 30KAV 720 & 800; without hydraulic module.....	13
4.6 - 30KAV 500, 550, 600 & 650 opt. 119; & 30KAV 720 & 800; with hydraulic module.....	13
4.7 - 30KAV 720 opt. 119; & 30KAV 900 & 1000; without hydraulic module.....	14
4.8 - 30KAV 720 opt. 119, with hydraulic module.....	14
4.9 - 30KAV 800 & 900 opt. 119; & 30KAV 1100, without hydraulic module.....	15
4.10 - 30KAV 800 opt.119, with hydraulic module.....	15
4.11 - 30KAV 1000 & 1100 opt. 119.....	16
4.12 - Multiple chiller installations.....	16
4.13 - Proximity to walls.....	16
5 - PHYSICAL AND ELECTRICAL DATA FOR 30KAV UNITS	17
5.1 - Physical data.....	17
5.2 - Electrical data.....	21
5.3 - Short circuit current withstand capability for all units.....	22
5.4 - Electrical data, optional hydraulic module.....	22
5.5 - Compressor usage per circuit (A, B).....	23
6 - ELECTRICAL CONNECTION	25
6.1 - Power supply.....	25
6.2 - Voltage phase imbalance (%).....	25
6.3 - Power connection/disconnect switch.....	25
6.4 - Recommended wire sections.....	25
6.5 - Power cable access routing.....	25
6.6 - Field control wiring.....	26
6.7 - Customer and service power reserves.....	26
7 - APPLICATION DATA	27
7.1 - Unit operating range.....	27
7.2 - Minimum chilled water flow (units without hydraulic module).....	27
7.3 - Maximum chilled water flow (units without hydraulic module).....	28
7.4 - Variable flow evaporator.....	28
7.5 - System minimum water volume.....	28
7.6 - System maximum water volume.....	28
7.7 - Evaporator water flow rate.....	29
7.8 - Evaporator pressure drop curves.....	29
8 - WATER CONNECTIONS	30
8.1 - Operating precautions.....	30
8.2 - Victaulic type hydraulic connections.....	31
8.3 - Tightening the screws on the evaporator water boxes.....	32
8.4 - Water flow rate detection.....	32
8.5 - Frost protection.....	32
8.6 - Protection against cavitation (with option 116).....	33
8.7 - Adjusting the installation nominal water flow rate.....	33
8.8 - Operation of two units as a master/slave assembly (option 58).....	36

CONTENTS

9 - UNIT WITH HYDRAULIC KIT	38
9.1 - Available static pressure for the system.....	37
9.2 - Required NPSH (Net Positive Suction Head); Hydraulic module option.....	38
9.3 - Flow rate calculation.....	38
10 - SYSTEM START-UP	39
10.1 - Checks before system start-up.....	39
10.2 - Start-up.....	39
10.3 - Essential points to check.....	40
11 - MAJOR SYSTEM COMPONENTS AND OPERATION DATA	41
11.1 - Compressors	41
11.2 - Oil filter	41
11.3 - Refrigerant.....	41
11.4 - Lubricant.....	41
11.5 - Oil supply solenoid valve	41
11.6 - Economiser and suction filters.....	41
11.7 - Pressure vessels	41
11.8 - High-pressure safety switch	42
11.9 - Condensers	42
11.10 - Fans.....	43
11.11 - Electronic expansion valve (EXV).....	44
11.12 - Moisture indicator	44
11.13 - Filter drier	44
11.14 - Sensors	44
11.15 - Service valves (option 92)	44
11.16 - Variable speed drive	44
11.17 - Cabinets for the electrical equipment	45
12 - OPTIONS	46
13 - STANDARD MAINTENANCE	48
13.1 - Level 1 maintenance	48
13.2 - Level 2 maintenance	48
13.3 - Level 3 (or higher) maintenance.....	49
13.4 - Tightening of the electrical connections	49
13.5 - Tightening torques for the main bolts and screws.....	50
13.6 - Condenser coil	50
13.7 - Evaporator maintenance	50
13.8 - Compressor maintenance	51
13.9 - Variable frequency drive maintenance	51
13.10 Precautions when fitting the casing panel to the side of the control cabinet	52
14 - UNIT START-UP CHECKLIST FOR INSTALLERS PRIOR TO CONTACTING CARRIER SERVICE	53

1 - INTRODUCTION

The units are intended to cool water for building air conditioning or for industrial processes.

They are designed to provide a very high level of safety and reliability, making installation, start-up, operation and maintenance easier and safer.

They will provide safe and reliable service if used within their application ranges.

They are designed to offer a service life of 15 years, assuming a utilisation factor of 75%, which corresponds to approximately 100,000 operating hours.

Prior to the initial start-up of the units, everyone involved in the works should be thoroughly familiar with these instructions and with the characteristics of the installation site, and ensure these are respected.

The procedures in this manual are arranged in the sequence required for installation, start-up, operation and maintenance of the units. Ensure that you follow them and that you take the required safety precautions, including those listed in this guide, which include wearing personal protective equipment (gloves, safety glasses, safety shoes) and having the appropriate tools, skills and qualifications (electrical, air conditioning, local legislation).

To find out whether these products comply with European directives (machine safety, low voltage, electromagnetic compatibility, pressure equipment, etc.) check the declarations of conformity for these products.

1.1 - Safety considerations related to protection devices

An internal fault with the compressor variable frequency drive can cause serious injury if the variable frequency drive has not been closed correctly: it is essential to ensure that all covers are in place and correctly secured before switching on the power supply to the unit.

DO NOT OBSTRUCT ANY PROTECTIVE DEVICES:

This applies to any fusible plugs, rupture disks and valves fitted on the refrigerant or heat transfer fluid circuits. Check whether the original protection plugs are still present at the valve outlets. These plugs are generally made of plastic and should not be used. If they are still present, please remove them. Fit devices at the valve or discharge piping outlets to prevent the penetration of foreign bodies (dust, building debris, etc.) and atmospheric agents (water can form rust or ice). These devices, as well as the discharge piping, must not impair operation or lead to a pressure drop that is higher than 10% of the set pressure.

CLASSIFICATION AND CONTROL:

In accordance with the Pressure Equipment Directive and national usage monitoring regulations in the European Union, the protective devices fitted to these machines are classified as follows:

	Safety device ⁽¹⁾	Device for limitation of damage in the event of an external fire ⁽²⁾
Refrigerant side		
High-pressure switch	X	
External relief valve ⁽³⁾		X
Rupture disk		X
Fusible plug		X
Heat transfer fluid side		
External relief valve	(4)	(4)

(1) Classified for protection in normal service situations.

(2) Classified for protection in abnormal service situations. These devices are sized for fires with a thermal flow of 10kW/m². No combustible matter should be placed within 6.5m of the unit.

(3) The instantaneous over-pressure limitation of 10% of the operating pressure does not apply to this abnormal service situation.

The set pressure can be higher than the service pressure. In this case either the design temperature or the high pressure switch ensures that the service pressure is not exceeded in normal service situations.

(4) The selection of these relief valves must be made by the personnel responsible for completing the hydraulic installation.

Do not remove valves / fusible plugs, even if the fire risk is under control for a particular installation. There is no guarantee that the devices are re-installed if the installation is changed or for transport with a gas charge.

When the unit is subjected to fire, a safety device prevents rupture due to over-pressure by releasing the refrigerant. The fluid may then break down into toxic residues when in contact with flames:

- ***Stay away from the unit;***
- ***Ensure the personnel in charge of extinguishing the fire are duly warned and issued with recommendations;***
- ***Fire extinguishers appropriate to the system and the refrigerant type must be easily accessible.***

All factory-installed relief valves are lead-sealed to prevent any calibration change.

The external relief valves must always be vented to outside if the units are installed in a closed space. Refer to the installation regulations, for example those of European standard EN 378 and EN 13136. These pipes must be installed in a way that ensures that people and property are not exposed to vented refrigerant. As the fluids can be diffused in the air, ensure that refrigerant is discharged away from building air intakes, relief valves must be checked periodically. The valves must be checked periodically.

If the relief valves are installed on a change-over valve, this is equipped with a relief valve on each of the two outlets. Only one of the two relief valves is in operation, the other one is isolated. Never leave the changeover valve in the intermediate position, i.e. with both circuits open (move the lever fully forwards or backwards depending on the output to be isolated). If a valve is removed for checking or replacement, make sure there is still a valve active on each of the changeover valves installed on the unit.

1 - INTRODUCTION

Provide a drain in the discharge pipework, close to each relief valve, to avoid an accumulation of condensate or rain water.

It is recommended to install an indicating device to check whether any refrigerant has leaked from the relief valve.

The presence of oil at the outlet orifice is a useful indicator that refrigerant has leaked. Keep this orifice clean to ensure that any leaks are obvious. The calibration of a valve that has leaked is generally lower than its original calibration. The new calibration may affect the operating range. To avoid nuisance tripping or leaks, replace or re-calibrate the valve.

PROTECTIVE DEVICE CHECKS:

If no national regulations exist, check the protective devices on site in accordance with standard EN 378: once a year for the high pressure switches, every five years for the external valves.

The company or organisation that conducts a pressure switch test must establish and implement detailed procedures for:

- **Safety measures,**
- **Measuring equipment,**
- **Values and tolerances for cut-off and discharge devices,**
- **Test stages,**
- **Recommissioning of the equipment.**

The principle for performing a test without disassembly of the pressure switch is given here, however the manufacturer recommends contacting Carrier Service for this type of test:

- **Verify and record the setpoints of pressure switches and external relief devices (valves and possible rupture discs),**
- **Be ready to switch off the main disconnect switch of the power supply if the pressure switch does not trigger (avoid over-pressure or excess gas if there are valves on the high pressure side on the recovery air exchangers, for example),**
- **Connect a calibrated pressure gauge with integral damping (oil bath with pointer if mechanical); instantaneous reading gauges may give inaccurate readings because of the control's scanning delay**
- **Carry out the HP quicktest built into the control (refer to the Service Guide).**

WARNING: If the test results in the replacement of the pressure switch, it is necessary to recover the refrigerant charge; these pressure switches are not installed on Schraeder type automatic valves.

If the machine operates in a corrosive atmosphere, inspect the devices more frequently.

Do not attempt to repair or recondition a valve if there has been any corrosion or build-up of foreign material (rust, dirt, scale, etc.) on the valve body or mechanism. In this case, it must be replaced.

Do not install relief valves in series or backwards.

1.2 - Refrigerant safety considerations

Use safety goggles and safety gloves.

All precautions concerning handling of refrigerant must be observed in accordance with local regulations.

If a leak occurs or if the refrigerant becomes contaminated (e.g. by a short circuit in a motor), and before any intervention, remove the complete charge using a recovery unit and store the refrigerant in mobile containers. The compressors cannot transfer the whole refrigerant charge and can be damaged if used to pump-down. The refrigerant charge should not be transferred to the high-pressure side.

Repair the leak, detect and check the type of refrigerant in the machine and then recharge the machine/circuit with the total charge, as indicated on the unit nameplate. Do not top up the refrigerant charge. Only charge the liquid refrigerant given on the nameplate at the liquid line.

Charging any refrigerant other than the original type will impair machine operation and can even cause irreparable damage to the compressors. The compressors operating with this refrigerant type are lubricated with a specific synthetic polyolester oil.

Do not unweld the refrigerant pipework or any refrigerant circuit component or cut these with a torch until all refrigerant (liquid and vapour) as well as the oil have been removed from the unit. Traces of vapour should be displaced with dry nitrogen. Refrigerant in contact with an open flame produces toxic gases.

Do not siphon refrigerant.

Any accidental release of refrigerant, whether this is caused by a small leak or significant discharges following the rupture of a pipe or an unexpected release from a relief valve, may cause any personnel exposed to experience heart palpitations, faintness, frostbite and burns. Always take any such event seriously.

Installers, owners and especially service engineers for these units must:

- Create a procedure to ensure medical attention is sought before treating any symptoms;
- Provide first aid equipment, flush the eyes and skin immediately if splashed with refrigerant, and seek medical attention.

We recommend that standard EN 378-3 Annex 3 is applied.

Ensure there is sufficient ventilation if the unit is installed in an enclosed area. In gas form, refrigerant is heavier than air and, if allowed to accumulate in a confined area, it can reduce the quantity of oxygen in the air, causing respiratory issues.

The refrigerant used in the units in this range is R134a.

Special equipment must be used when working on the refrigerant circuit (pressure gauge, charge transfer equipment, etc.).

Do not clean the unit with hot water or steam. This may cause the refrigerant pressure to rise.

1 - INTRODUCTION

NOTE: If a liquid line valve is present, never leave refrigerant in liquid form between this closed valve and the expansion valve as the change in temperature may cause the liquid to expand, rupturing this section of the circuit. This valve is situated on the liquid line before the filter drier.

Never apply an open flame or pressurised steam to a refrigerant container. Dangerous overpressure can result. If it is necessary to heat the refrigerant, only use hot water.

The standard NF E29-795 describes the regulations permitting conditioning and recovery of halogenated hydrocarbons under optimum quality conditions for the products and optimum safety conditions for people, property and the environment. If any damage is caused to the equipment, the refrigerant must be changed in accordance with this standard, or an analysis of the fluid must be performed by a specialist laboratory.

Any refrigerant transfer and recovery operations must be carried out using a transfer unit.

Service valves are positioned on the liquid, suction and discharge lines and are available on all units for connection to the transfer unit.

The units must never be modified to add refrigerant and oil charging, removal and purging devices. These units have the required openings. Refer to the certified dimensional drawings.

It is dangerous and illegal to re-use disposable (non-returnable) cylinders or attempt to refill them. When the cylinders are empty, evacuate the remaining gas pressure, fill out the relevant paperwork and hand them over to an approved recovery agency. Do not incinerate.

OPERATING CHECKS:

- **IMPORTANT: This product contains fluorinated greenhouse gas covered by the Kyoto protocol.**
- **Type of fluid: refer to the nameplate.**
- **Global Warming Potential (GWP): refer to the table below.**

WARNING:

1. **All interventions on this product's refrigerant circuit must be performed in accordance with applicable legislation. Within the European Union, this legislation notably includes regulation No. 517/2014, known as F-Gas.**
2. **Ensure that the refrigerant is never released to the atmosphere during installation, maintenance or equipment disposal.**
3. **It is prohibited to deliberately release refrigerant into the atmosphere.**
4. **If a refrigerant leak is detected, ensure that the leak is repaired quickly.**
5. **Only certified, qualified personnel are permitted to install, service and perform leak tightness tests on the refrigerant, decommission the equipment and recover the refrigerant.**
6. **The operator must ensure that any refrigerant recovered is recycled, regenerated or destroyed.**

7. **The operator is bound by the obligation to perform leak tightness tests, or have these performed, at regular intervals. Regulations within the European Union have set the following intervals:**

System WITHOUT leakage detection		No test	12 months	6 months	3 months
System WITH leakage detection		No test	24 months	12 months	6 months
Refrigerant charge per circuit (equivalent CO₂)		< 5 tonnes	5 ≤ charge < 50 tonnes	50 ≤ charge < 500 tons	Charge > 500 tons*
Refrigerant charge per circuit (kg)	R134a (GWP 1430)	Charge < 3.5 kg	3.5 ≤ charge < 34.9 kg	34.9 ≤ charge < 349.7 kg	charge > 349.7 kg
	R407C (GWP 1774)	Charge < 2.8 kg	2.8 ≤ charge < 28.2 kg	28.2 ≤ charge < 281.9 kg	charge > 281.9 kg
	R410A (GWP 2088)	Charge < 2.4 kg	2.4 ≤ charge < 23.9 kg	23.9 ≤ charge < 239.5 kg	charge > 239.5 kg
	HFOs: R1234ze	No requirement			

* From 01/01/2017, units must be equipped with a leak detection system.

8. **For all equipment subject to regular leak tightness tests, the operator must keep a log used to record the following: the quantities and types of fluids contained in the system (added and recovered), the quantity of fluid recycled, regenerated or destroyed, the date and results of the leak tightness tests, the details of the technician and of the company performing the work, etc.**
9. **Contact your local dealer or installer if you have any questions.**

Information on operating inspections given in EN 378 standard can be used when similar criteria do not exist in the national regulation.

Check regularly for leaks and, if detected, have these repaired immediately.

1 - INTRODUCTION

1.3 - Installation safety considerations

After the unit has been received, and before it is started up, it must be inspected for damage. Check that the refrigerant circuits are intact, especially that no components or pipes have shifted or been damaged (e.g. following a shock). If in doubt, carry out a leak tightness check.

Pressure equipment and components

These products include pressure equipment or components manufactured by the unit manufacturer or by other manufacturers. We recommend that you contact your professional body to find out which regulations affect you as the operator or owner of pressure equipment or components (declaration, re-qualification, re-testing). The characteristics of this equipment/these components are given on the nameplate or in the required documentation, supplied with the products.

These units comply with the European Pressure Equipment Directive.

The units are intended to be stored and operated in an environment where the ambient temperature does not drop below the minimum allowable temperature indicated on the nameplate.

Do not introduce significant static or dynamic pressure with regard to the operating pressures used either during operation or for tests in the refrigerating circuit or in the heat exchange circuits.

NOTE: Monitoring during operation, re-qualification, re-testing, exemption from retesting:

- ***Follow the regulations on monitoring pressure equipment.***
- ***The user or operator is usually required to create and maintain a monitoring and maintenance log.***
- ***In the absence of any regulations, or in addition to the regulations, follow the guidance in EN 378.***
- ***Follow the local professional recommendations, whenever they exist.***
- ***Regularly monitor the surface of the components to detect pitting corrosion. To do this check an uninsulated part of the pressure vessel or at a joint in the insulation.***
- ***Regularly check for the presence of any impurities (e.g. sand, grit) in the heat transfer fluids. These impurities can cause wear and/or pitting corrosion.***
- ***Filter the heat-transfer fluid and carry out internal inspections as described in EN 378***
- ***The reports of the periodical checks by the user or the operator must be included in the monitoring and maintenance log.***

REPAIR:

Any repair or modification, including replacement of removable parts:

- ***Must comply with local regulations and must be performed by qualified operators in accordance with qualified processes, including changing a wiring harness conductor,***
- ***Must be approved by the original manufacturer. Repairs and modifications which involve a permanent assembly (welding, soldering, expansion of tubes, etc.) must be performed by qualified operators following operating procedures,***
- ***All modifications and repairs must be listed in the monitoring and maintenance register,***
- ***Never attempt to repair or modify a plate heat exchanger.***

RECYCLING:

The pressure equipment can be recycled in whole or in part. After use they may contain refrigerant vapours and oil residue. Some parts are painted.

1.4 - Maintenance safety considerations

It is recommended to wear ear defenders, when working near the unit and the unit is in operation.

The manufacturer recommends the following template for the maintenance log (the table below is only given as a guide and does not engage the manufacturer's liability).

Intervention		Name of the commissioning engineer	Applicable national regulations	Verification Organisation
Date	Nature ⁽¹⁾			

(1) Maintenance

Any technician carrying out work on the electrical or refrigerating section must be authorised, with the relevant qualifications and certifications, including for brazing operations and for operation of the shut-off valve. He/she must have been trained and be familiar with the equipment and the installation.

The manual valves must only be manipulated when the machine is off. Do not forget to refit protective caps to prevent leaks.

During any handling, maintenance, or service operations, the technicians involved must be equipped with safety gloves, glasses, shoes and protective clothing.

Never work on a unit that is still energised.

Never work on any of the electrical components until the general power supply to the unit has been isolated and locked out.

WARNING: Even if the unit has been switched off, the power circuit remains energised, unless the unit or circuit disconnect switch is open. Refer to the wiring diagram for further details. Follow the appropriate safety guidelines. When working close to the condenser fans, particularly when removing the grilles, ensure the power supply to the fans is switched off to ensure they cannot run.

1 - INTRODUCTION

WARNING: The variable frequency drives (VFD) fitted to the units have circuit capacitors which take twenty (20) minutes to discharge after the power supply is disconnected. After disconnecting the power supply to the electrical box, wait for twenty minutes before accessing the electrical box or variable drives.

This value of 20 minutes is a guide, and may differ from one VFD to another: refer to the information given on the VFD to find out the precise value.

Before any intervention, verify that there is no voltage present at any accessible conducting parts of the power circuit.

Regularly check that the vibration levels remain acceptable and close to those at the initial machine start-up.

Before opening a refrigerating circuit, purge and read the pressure indicators.

If the refrigerant circuit remains open after an intervention (such as a component replacement, etc.):

- Seal the openings if the duration is less than a day
- Beyond this time, charge the circuit with a dry, inert gas (nitrogen).

The objective is to prevent penetration of atmospheric humidity and the resulting corrosion of the unprotected internal steel walls.

1.5 - Repair safety considerations

To prevent any damage or accidents, trained personnel must service the various parts of this machine and must resolve any malfunctions or leaks immediately.

Comply with the regulations and recommendations given in the safety standards for refrigerant systems and machines, such as: EN 378, ISO 5149, etc.

RISK OF EXPLOSION: 

Never use air or gases containing oxygen during leak tests, to purge pipework or to pressurise a unit. Pressurised air mixtures or gases containing oxygen can be the cause of an explosion. Oxygen reacts violently with oil and grease.

Only use dry nitrogen for leak tests, possibly with an appropriate tracer gas.

A failure to observe the above recommendations can have serious or even fatal consequences and damage the installations.

Never exceed the specified maximum operating pressures. Verify the maximum permissible high and low test pressures by checking the instructions in this manual or the pressures given on the unit nameplate.

The necessary protective equipment must be available, and appropriate fire extinguishers for the system and the refrigerant type used must be within easy reach.

Do not attempt to remove components fitted to the refrigerant circuit or fittings while the machine is under pressure or while it is running. Make sure the circuit pressure is zero and that the unit has been shut down and de-energised before removing components or opening a circuit. When the refrigerant circuit is opened to repair, see the recommendations in chapter "Maintenance safety considerations".

WARNING: No part of the unit must be used as a walkway, rack or support. Periodically check and repair or, if necessary, replace any component or piping that shows signs of damage.

The pipework can break under the weight and release refrigerant, causing injury.

Do not climb on a machine. Use a platform to work at height.

Use mechanical lifting equipment (crane, hoist, winch, etc.) to lift or move heavy components.

For lighter components, use lifting equipment if there is any risk of slipping or losing your balance.

Use only original replacement parts for any repair or component replacement. Consult the list of replacement parts that corresponds to the original equipment.

Do not drain the heat exchange fluid circuit without informing the site technical / service department or other competent body first.

Close the shut-off valves on the water inlet and outlet and drain the unit's hydraulic circuit before working on the components installed on the circuit (screen filter, pump, water flow sensor, etc.).

Periodically inspect all valves, fittings and pipes on the refrigerant and hydraulic circuits to ensure that they do not show any signs of corrosion or leaks.

2 - RECEIPT OF GOODS

2.1 - Check equipment received

Check that the unit and the accessories have not been damaged during transport and that no parts are missing. If the unit and the accessories have been damaged or the shipment is incomplete, send a claim to the shipping company.

Compare the name plate data with the order.

The name plate is attached in two places to the unit:

- On the outside of one of the unit frames,
- On the electrical cabinet, inside.

The unit name plate must include the following information:

- Model number - size,
- CE marking,
- Serial number,
- Year of manufacture and pressure and leak tightness test date,
- Fluid used for transport,
- Refrigerant used,
- Refrigerant charge per circuit,
- PS: Min./max. allowable pressure (high and low pressure side),
- TS: Min./max. allowable temperature (high and low pressure side),
- Pressure switch cut-out pressure,
- Unit leak test pressure,
- Voltage, frequency, number of phases,
- Maximum current,
- Maximum power input,
- Unit net weight.

3 - HANDLING AND POSITIONING

3.1 - Moving

It is strongly recommended that a specialised company is employed to unload the machine.

Do not remove the skid or the packaging until the unit is in its final position.

These units can be safely moved by trained personnel with a fork lift truck with the correct capacity for the dimensions and weight of the unit, as long as the forks are positioned in the location and direction shown on the unit.

The units can also be lifted with slings, using only the designated lifting points marked on the unit (labels on the chassis and a label with all unit handling instructions, attached to the machine).

Use slings with the correct capacity, and follow the lifting instructions on the certified dimensional drawings supplied for the unit.

WARNING: Only attach slings to the designated lifting points which are marked on the unit.

It is advisable to protect coils against crushing while a unit is being moved. Use struts or a lifting beam to spread the slings above the unit. Do not tilt a unit more than 15°.

Safety can only be guaranteed if these instructions are carefully followed. Failure to do so may result in damage to the equipment and physical injury.

3.2 - Positioning

The machine must be installed in a place that is not accessible to the public or protected against access by non-authorized persons.

If the unit is to be raised, ensure the machine's surroundings permit easy access for maintenance operations.

For the centre of gravity coordinates, the position of the unit mounting holes, and the weight distribution points, refer to the certified dimensional drawings. Ensure the free space shown in the dimensional drawings is respected to facilitate maintenance and connection.

The typical applications of these units are cooling and heating, which do not require earthquake resistance. Earthquake resistance has not been verified.

Before installing the device, check that:

- The chosen location can support the weight of the unit, or that appropriate reinforcement measures have been taken,
- The unit is installed level on an even surface (maximum tolerance is 5 mm along both axes),
- If the support structure is sensitive to vibration and/or noise transmission it is advisable to insert anti-vibration mounts (elastomer mounts or metal springs) between the unit and the structure. Selection of these devices is based on the system characteristics and the comfort level required and should be made by technical specialists,
- There is adequate space above and around the unit for air to circulate and for access to the components (see dimensional drawings),
- The number of support points is adequate and that they are in the right places,
- If the optional anti-vibration mounts are present, their number and position must comply with the indications given on the certified dimensional drawing.,
- The location is not subject to flooding,
- For outdoor applications, avoid installing the unit in a location where snow is likely to accumulate (in areas subject to long periods of sub-zero temperatures, the unit should be raised),
- Baffles may be necessary to deflect strong winds. However, they must not restrict air flow into the unit,

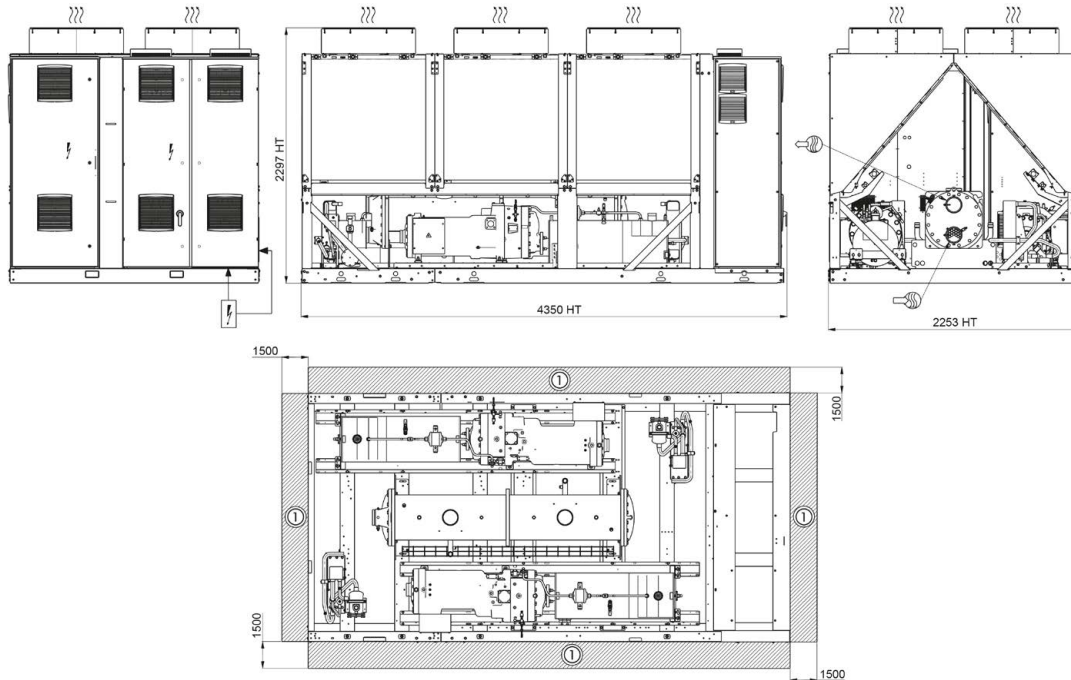
CAUTION: Before lifting the unit, check that all casing panels and grilles are securely fixed in place. Lift and set down the unit with great care. Tilting and jarring can damage the unit.

WARNING: never apply pressure or leverage to any of the unit's panels or uprights; only the base of the unit frame is designed to withstand such stresses. No force or effort must be applied to pressurised parts, especially via pipes connected to the water heat exchanger (with or without the hydraulic kit if the unit is equipped with this).

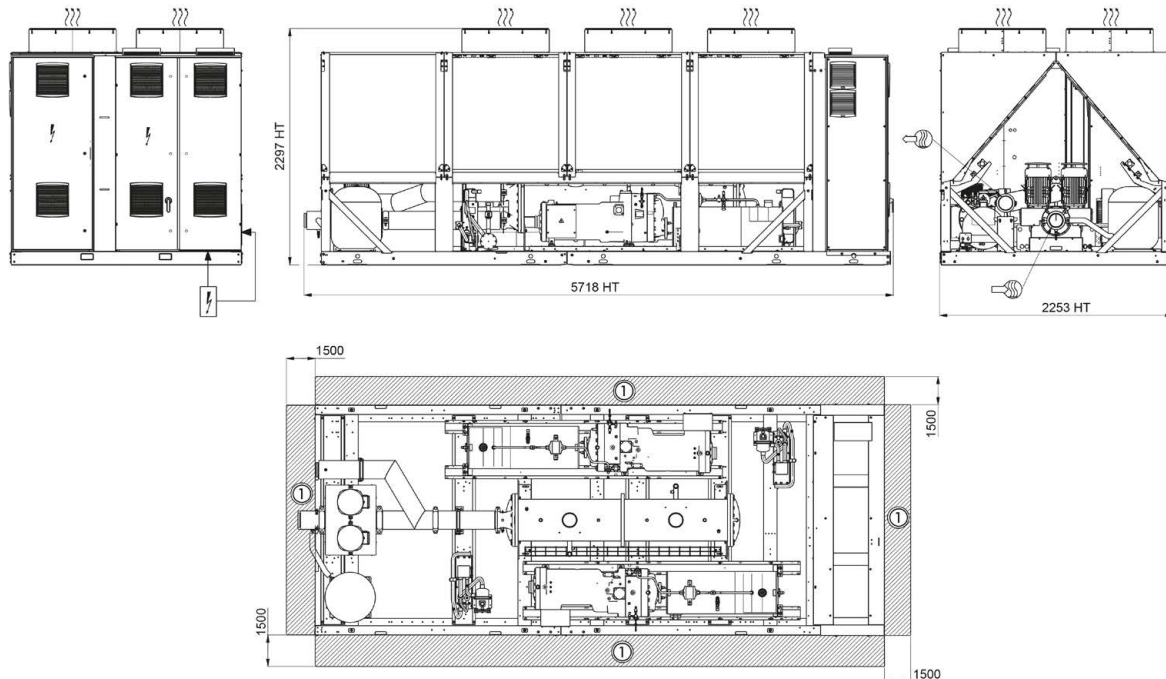
All welding operations (connection to the hydraulic network) must be performed by qualified welders. The Victaulic® connection or the counter-flange must be removed before welding as a matter of course.

4 - DIMENSIONS, CLEARANCES

4.1 - 30KAV 500 & 550, without hydraulic module



4.2 - 30KAV 500 & 550, with hydraulic module



Key

All dimensions are given in mm

- 1 Clearances required for maintenance (see Note)
- Water inlet for standard units
- Water outlet for standard units
- Air outlet, do not obstruct
- Power supply connection

NOTE:

Non-contractual drawings.

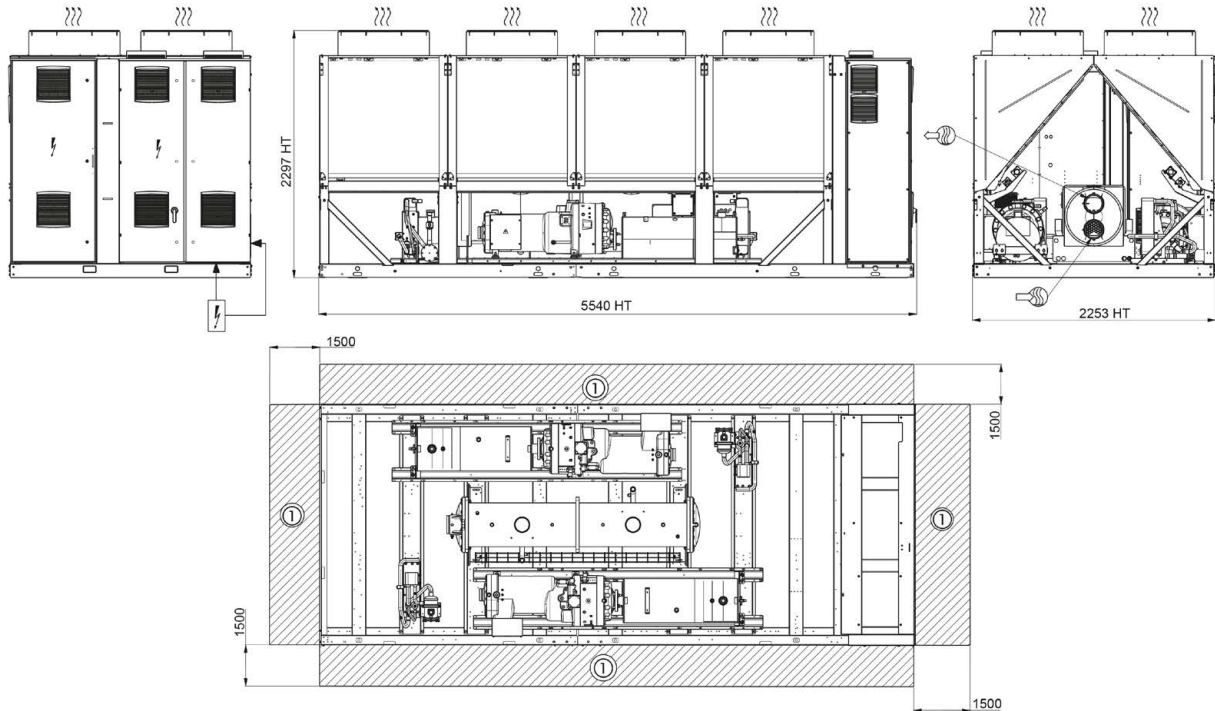
Refer to the certified dimensional drawings supplied with the unit, or available on request, when designing an installation.

Please refer to the certified dimensional drawings, for the positioning of the fixing points, weight distribution points and centre of gravity coordinates.

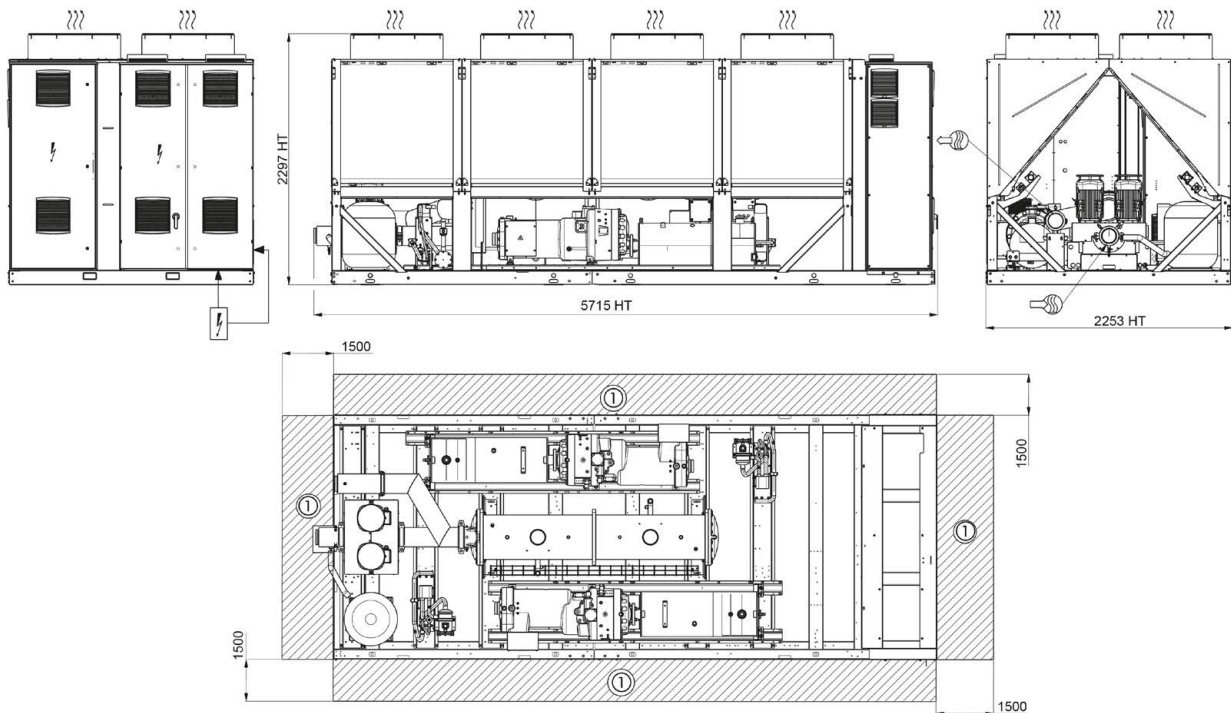
If the installation comprises several units or if these are located close to walls, refer to sections 4.12 - Multiple chiller installation and 4.13 - Proximity to walls p. 16 in this manual to determine the space required.

4 - DIMENSIONS, CLEARANCES

4.3 - 30KAV 600 & 650, without hydraulic module



4.4 - 30KAV 600 & 650, with hydraulic module



Key

All dimensions are given in mm

- ① Clearances required for maintenance (see Note)
- ☰ Water inlet for standard units
- ☰ Water outlet for standard units
- ☰ Air outlet, do not obstruct
- ⚡ Power supply connection

NOTE:

Non-contractual drawings.

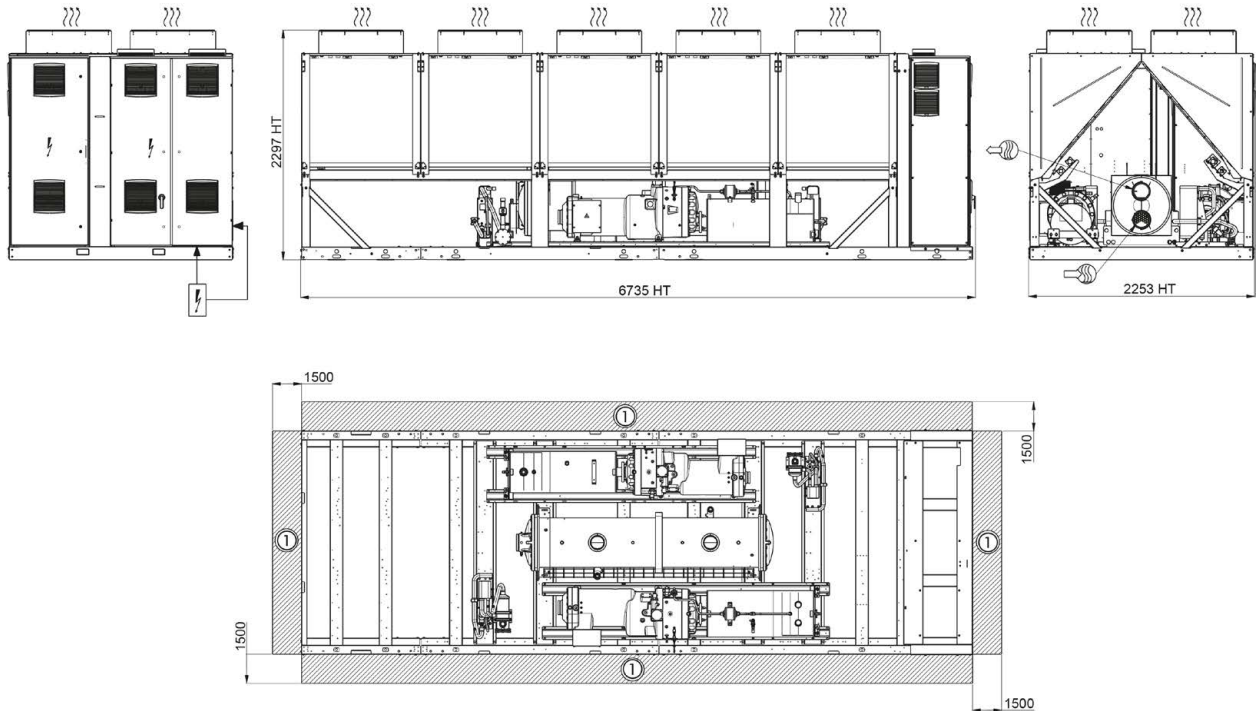
Refer to the certified dimensional drawings supplied with the unit, or available on request, when designing an installation.

Please refer to the certified dimensional drawings, for the positioning of the fixing points, weight distribution points and centre of gravity coordinates.

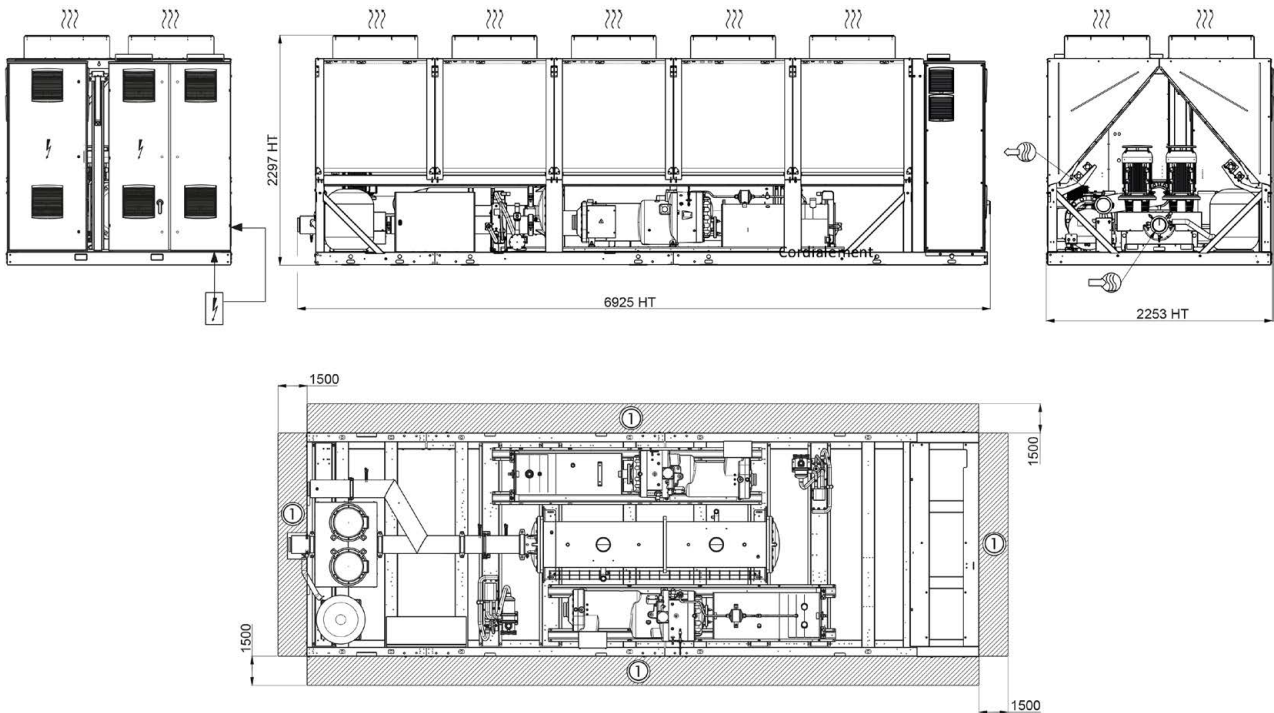
If the installation comprises several units or if these are located close to walls, refer to sections 4.12 - Multiple chiller installation and 4.13 - Proximity to walls p. 16 in this manual to determine the space required.

4 - DIMENSIONS, CLEARANCES

4.5 - 30KAV 500, 550, 600 & 650 opt. 119; & 30KAV 720 & 800; without hydraulic module


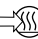

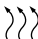
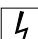


4.6 - 30KAV 500, 550, 600 & 650 opt. 119; & 30KAV 720 & 800; with hydraulic module



Key

All dimensions are given in mm

-  Clearances required for maintenance (see Note)
-  Water inlet for standard units
-  Water outlet for standard units
-  Air outlet, do not obstruct
-  Power supply connection

NOTE:

Non-contractual drawings.

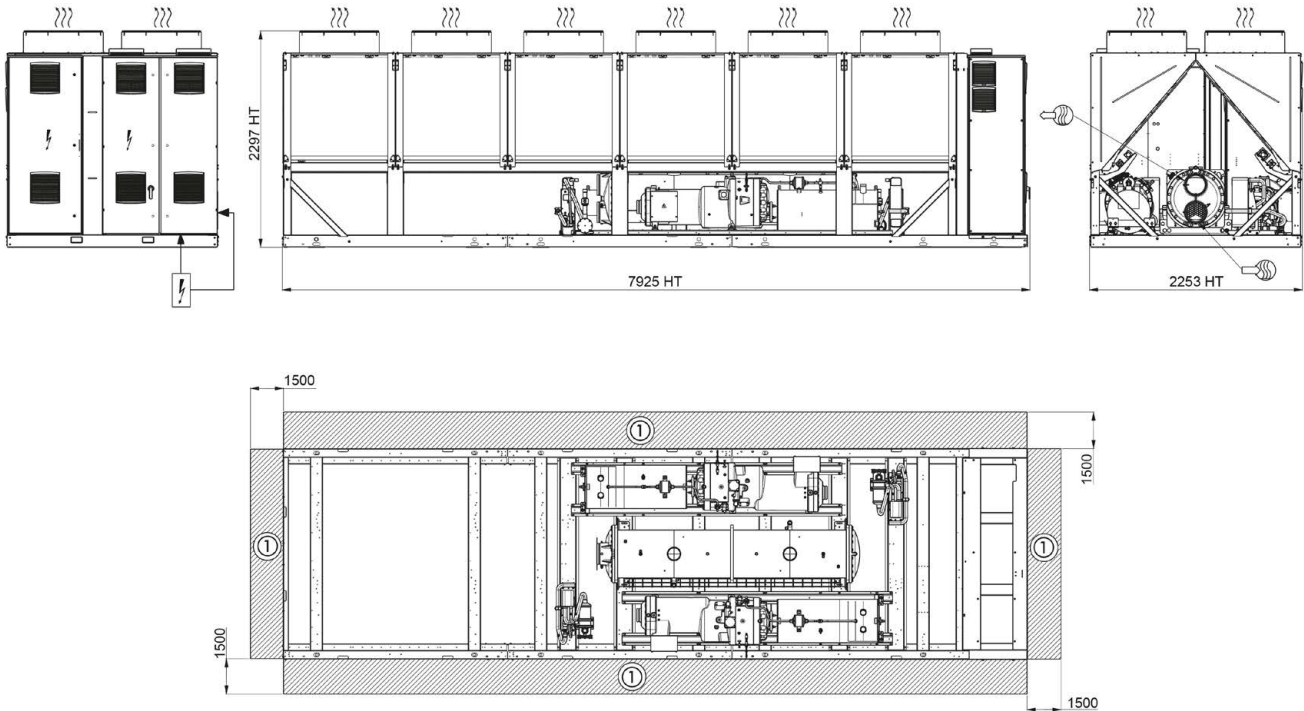
Refer to the certified dimensional drawings supplied with the unit, or available on request, when designing an installation.

Please refer to the certified dimensional drawings, for the positioning of the fixing points, weight distribution points and centre of gravity coordinates.

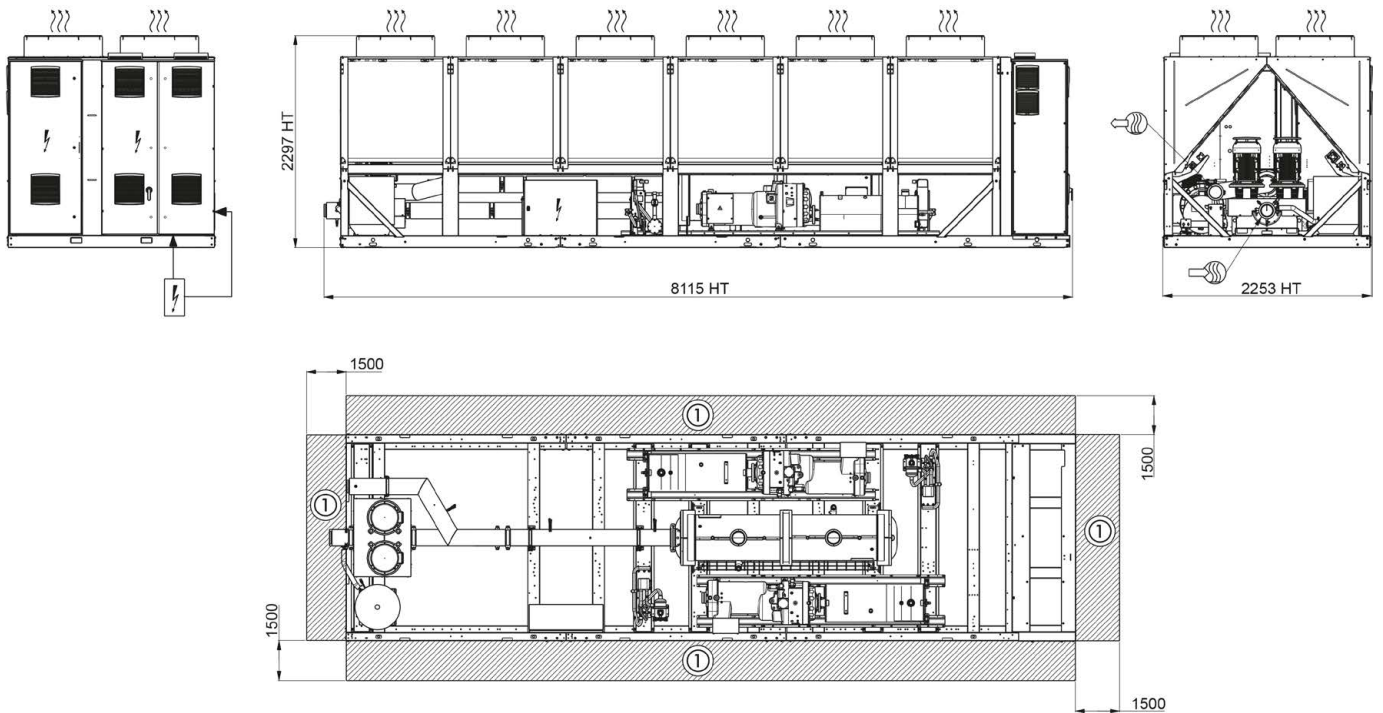
If the installation comprises several units or if these are located close to walls, refer to sections 4.12 - Multiple chiller installation and 4.13 - Proximity to walls p. 16 in this manual to determine the space required.

4 - DIMENSIONS, CLEARANCES

4.7 - 30KAV 720 opt. 119; & 30KAV 900 & 1000; without hydraulic module



4.8 - 30KAV 720 opt. 119, with hydraulic module



Key

All dimensions are given in mm

- 1 Clearances required for maintenance (see Note)
- Water inlet for standard units
- Water outlet for standard units
- Air outlet, do not obstruct
- Power supply connection

NOTE:

Non-contractual drawings.

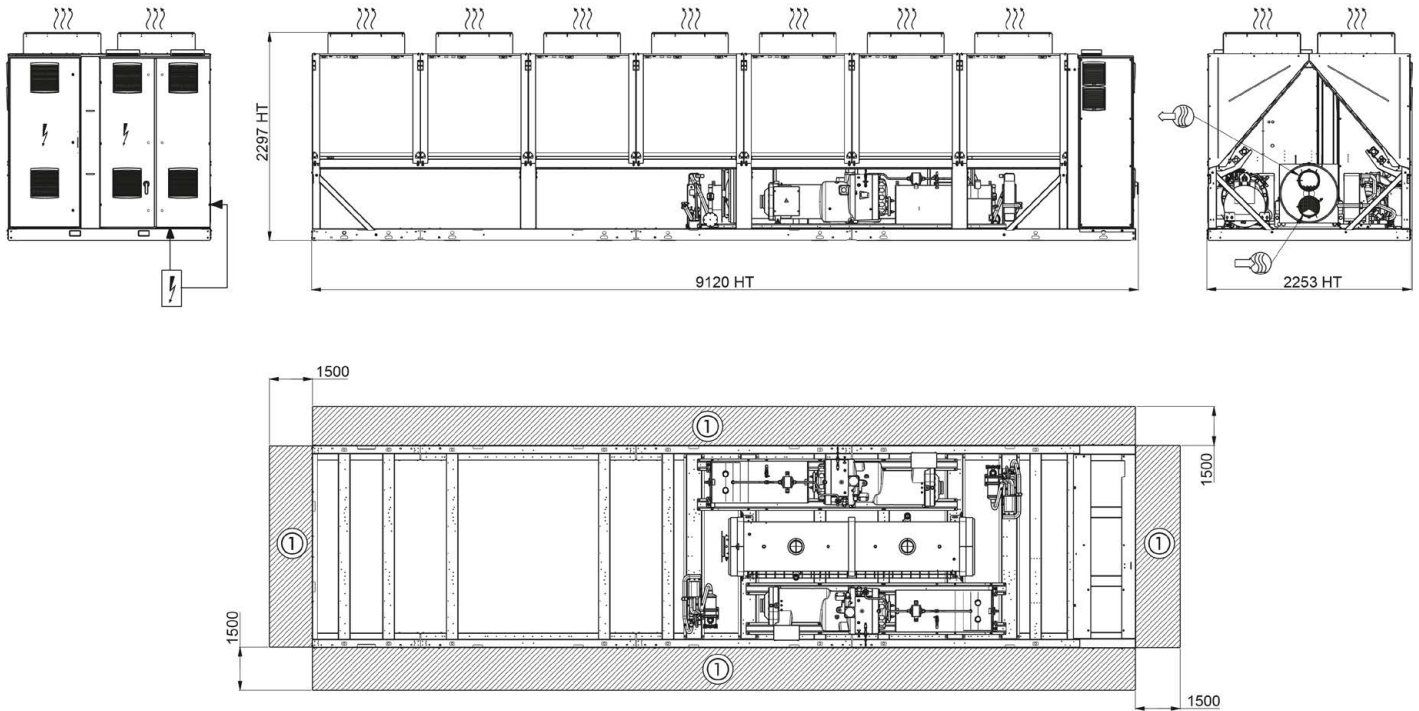
Refer to the certified dimensional drawings supplied with the unit, or available on request, when designing an installation.

Please refer to the certified dimensional drawings, for the positioning of the fixing points, weight distribution points and centre of gravity coordinates.

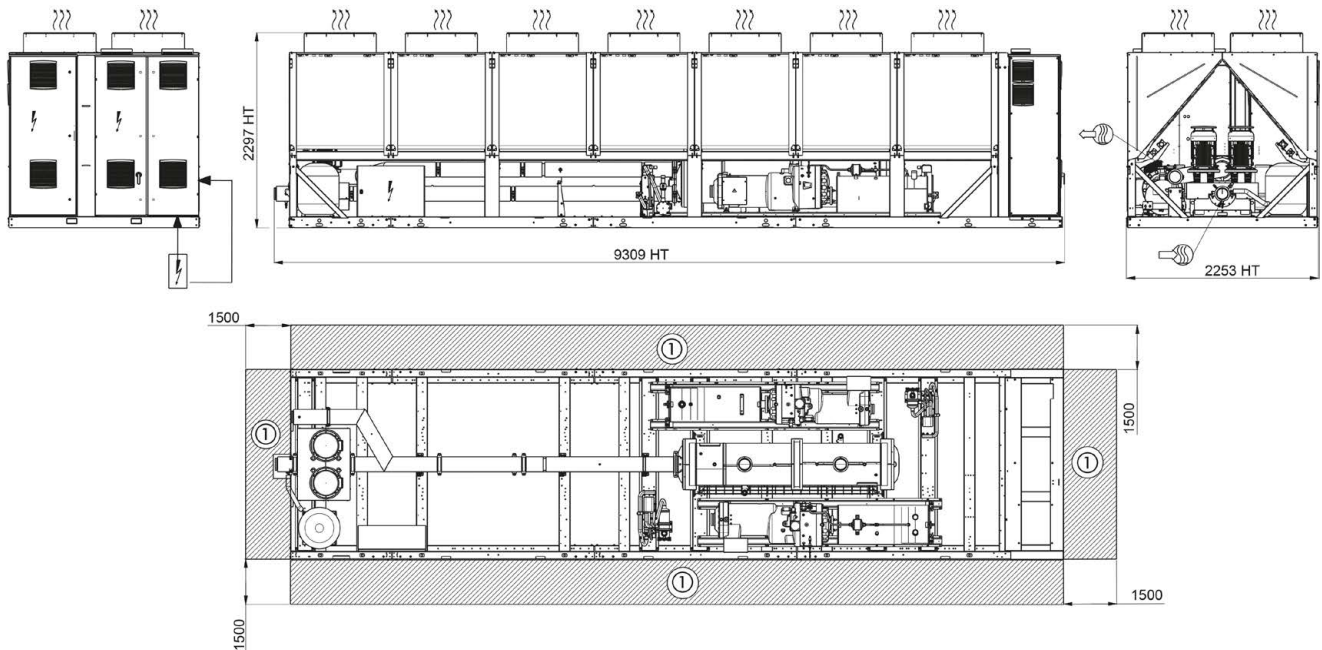
If the installation comprises several units or if these are located close to walls, refer to sections 4.12 - Multiple chiller installation and 4.13 - Proximity to walls p. 16 in this manual to determine the space required.

4 - DIMENSIONS, CLEARANCES

4.9 - 30KAV 800 & 900 opt. 119; & 30KAV 1100, without hydraulic module


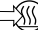

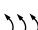



4.10 - 30KAV 800 opt.119, with hydraulic module



Key

All dimensions are given in mm

-  Clearances required for maintenance (see Note)
-  Water inlet for standard units
-  Water outlet for standard units
-  Air outlet, do not obstruct
-  Power supply connection

NOTE:

Non-contractual drawings.

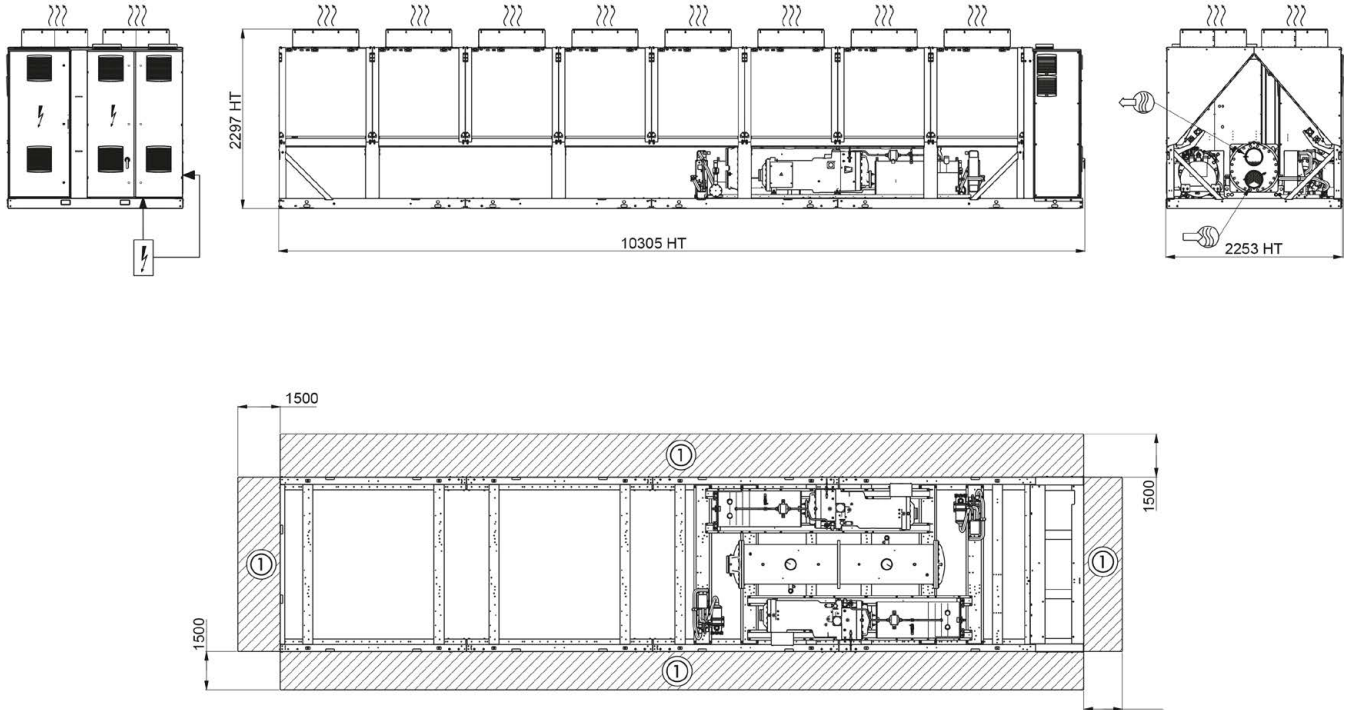
Refer to the certified dimensional drawings supplied with the unit, or available on request, when designing an installation.

Please refer to the certified dimensional drawings, for the positioning of the fixing points, weight distribution points and centre of gravity coordinates.

If the installation comprises several units or if these are located close to walls, refer to sections 4.12 - Multiple chiller installation and 4.13 - Proximity to walls p. 16 in this manual to determine the space required.

4 - DIMENSIONS, CLEARANCES

4.11 - 30KAV 1000 & 1100 opt. 119



Key

All dimensions are given in mm

- ① Clearances required for maintenance (see Note)
- Water inlet for standard units
- Water outlet for standard units
- Air outlet, do not obstruct
- Power supply connection

NOTE:

Non-contractual drawings.

Refer to the certified dimensional drawings supplied with the unit, or available on request, when designing an installation.

Please refer to the certified dimensional drawings, for the positioning of the fixing points, weight distribution points and centre of gravity coordinates.

If the installation comprises several units or if these are located close to walls, refer to sections 4.12 - Multiple chiller installation and 4.13 - Proximity to walls p. 16 in this manual to determine the space required.

4.12 - Multiple chiller installation

It is recommended that multiple chillers are installed in a single row, arranged as shown in the example below, to avoid warm air being recycled from one unit to another.

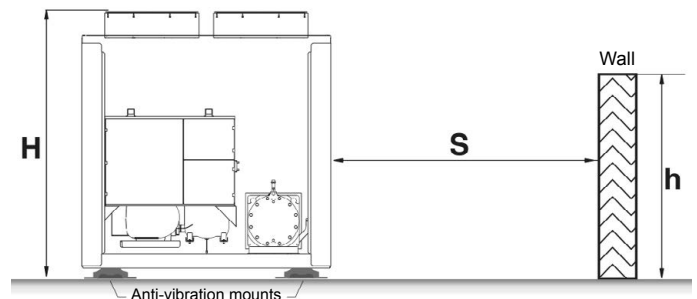


If the floor space does not allow this arrangement, contact your Carrier distributor to assess the various installation options.

4.13 - Proximity to walls

To guarantee correct operation in most cases:

- If $h < H$ (2.3 m), minimum $S = 3$ m
- If $h > H$ or $S < 3$ m, contact your Carrier distributor to assess the various installation options. An accessory (available for sale as a spare part) can be added to the unit in certain situations.



5 - PHYSICAL AND ELECTRICAL DATA FOR 30KAV UNITS

5.1 - Physical data

30KAV		500	550	600	650	720	800	900	1000	1100
Sound levels										
Standard unit										
Sound power ⁽¹⁾	dB(A)	95	95	96	98	99	98	99	98	100
Sound pressure at 10 m ⁽²⁾	dB(A)	63	63	64	65	66	65	67	65	67
Unit + option 15⁽³⁾										
Sound power ⁽¹⁾	dB(A)	94	94	94	96	97	96	97	97	98
Sound pressure at 10 m ⁽²⁾	dB(A)	62	62	61	64	64	63	65	64	65
Unit + option 15LS⁽³⁾										
Sound power ⁽¹⁾	dB(A)	90	90	90	92	94	92	94	93	94
Sound pressure at 10 m ⁽²⁾	dB(A)	57	58	58	59	61	60	62	60	61
Dimensions										
Standard unit										
Length	mm	4350	4350	5540	5540	6735	6735	7925	7925	9120
Width	mm	2253	2253	2253	2253	2253	2253	2253	2253	2253
Height	mm	2297	2297	2297	2297	2297	2297	2297	2297	2297
Unit + options 116A/116W⁽³⁾										
Length	mm	5540	5540	5540	5540	6735	6735	-	-	-
Operating weight⁽⁴⁾										
Standard unit	kg	4800	4813	5197	5223	5705	6127	6604	7057	7484
Unit + options 116A/116W ⁽³⁾	kg	5314	5428	5623	5649	6261	6682	-	-	-
Compressors										
06Z variable speed twin-screw compressor with AC motor										
Circuit A	Quantity	1	1	1	1	1	1	1	1	1
Circuit B	Quantity	1	1	1	1	1	1	1	1	1
Refrigerant ⁽⁴⁾										
R134a (GWP=1430, ODP=0)										
Circuit A	kg	51	51	56	63	70	79	95	89	99
	tCO ₂ e	73	73	80	90	100	113	136	127	142
Circuit B	kg	52	52	57	64	71	61	75	90	100
	tCO ₂ e	74	74	82	92	102	87	107	129	143
Oil										
SW220										
Circuit A	l	20	20	20	20	20	20	20	20	20
Circuit B	l	20	20	20	20	20	20	20	20	20
Capacity control										
Touch Pilot interface with 7" colour touchscreen										
Minimum capacity ⁽⁵⁾	%	10	10	10	10	10	10	10	10	10
Languages	10 languages (DE, EN, ES, FR, IT, NL, PT, TR, TU + one chosen by the customer)									
Smart energy measurement	Function included as standard									
Wireless connectivity	Option									
Expansion valve										
Electronic expansion valve										
Air-cooled exchanger										
Novation™ micro-channel heat exchanger										
Fans										
Flying Bird™ VI impeller with AC motor and speed regulator										
Quantity		6	6	8	8	10	10	12	12	14
Maximum total air flow rate	l/s	35580	35580	47440	47440	59300	59300	71160	71160	83020
Maximum rotation speed	r/s	16,0	16,0	16,0	16,0	16,0	16,0	16,0	16,0	16,0
Maximum total air flow rate + option 15LS ⁽³⁾	l/s	28920	26100	41600	43200	56000	50000	67200	57840	72800
Maximum rotation speed + option 15LS ⁽³⁾	r/s	13,2	12,0	14,2	14,7	15,2	13,7	15,2	13,2	14,2
Water exchanger										
Flooded multi-tube type										
Volume of water	l	83	88	96	100	115	126	144	165	183
Max. water-side operating pressure without hydraulic module	kPa	1000	1000	1000	1000	1000	1000	1000	1000	1000

(1) In dB ref=10⁻¹² W, 'A' weighted. Declared noise emission value in accordance with ISO 4871 with an uncertainty of +/-3 dB(A). Measured in accordance with ISO 9614-1 and certified by Eurovent.

(2) In dB ref 20μPa, 'A' weighted. Declared noise emission value in accordance with ISO 4871 with an uncertainty of +/-3 dB(A). For information, calculated from the sound power Lw(A).

(3) Options: 15 = Low noise level, 15LS = Very low noise level, 116A = LP VSD dual-pump hydraulic mod.; 116W = HP VSD dual-pump hydraulic mod.

(4) Values are guidelines only. Refer to the unit name plate.

(5) Depending on the operating conditions, the unit may have a different minimum capacity and/or cycle on and off.



Eurovent certified values

5 - PHYSICAL AND ELECTRICAL DATA FOR 30KAV UNITS

30KAV		500	550	600	650	720	800	900	1000	1100
Hydraulic module (option)		Dual-pump, screen filter, relief valve, water drain tap, pressure sensors, expansion vessel (option), heaters (option)								
Pump		Variable speed dual pumps with AC motors								
Expansion vessel volume	l	80	80	80	80	80	80	-	-	-
Max. operating pressure, water side	kPa	400	400	400	400	400	400	-	-	-
Water connections		Victaulic® type								
Without options 116A/116W ⁽³⁾										
Connections	inches	5	5	6	6	6	6	8	8	8
External pipe diameter	mm	141,3	141,3	168,3	168,3	168,3	168,3	219,1	219,1	219,1
With options 116A/116W ⁽³⁾										
Connections	inches	5	5	5	5	5	5	-	-	-
External pipe diameter	mm	141,3	141,3	141,3	141,3	141,3	141,3	-	-	-
Chassis paint colour		Colour code RAL 7035								

(3) Options: 15 = Low noise level, 15LS = Very low noise level, 116A = LP VSD dual-pump hydraulic mod.; 116W = HP VSD dual-pump hydraulic mod.



Eurovent certified values

5 - PHYSICAL AND ELECTRICAL DATA FOR 30KAV UNITS

Physical properties of units with High energy efficiency option (119) and High energy efficiency+ option (119+)

30KAV options 119/119+		500	550	600	650	720	800	900	1000	1100
Sound levels										
Unit + option 119+										
Sound power ⁽¹⁾	dB(A)	96	96	97	98	99	98	100	98	100
Sound pressure at 10 m ⁽²⁾	dB(A)	63	63	64	66	66	65	67	65	67
Unit + options 15 + 119+⁽³⁾										
Sound power ⁽¹⁾	dB(A)	95	95	94	96	97	96	98	98	98
Sound pressure at 10 m ⁽²⁾	dB(A)	62	62	62	64	64	64	65	65	65
Unit + options 15LS + 119+⁽³⁾										
Sound power ⁽¹⁾	dB(A)	90	91	91	92	94	92	94	93	94
Sound pressure at 10 m ⁽²⁾	dB(A)	57	58	58	59	61	60	61	60	61
Dimensions										
Unit + option 119/119+										
Length	mm	6735	6735	6735	6735	7925	9120	9120	10305	10305
Width	mm	2253	2253	2253	2253	2253	2253	2253	2253	2253
Height	mm	2297	2297	2297	2297	2297	2297	2297	2297	2297
Unit + option 119/119+ + options 116A/116W⁽³⁾										
Length	mm	6735	6735	6735	6735	7925	9120	-	-	-
Operating weight⁽⁴⁾										
Unit + option 119+	kg	5570	5583	5606	5632	6075	6879	7026	7813	7875
Unit + options 116A/116W(3) + 119+	kg	5979	6093	6081	6107	6678	7524	-	-	-
Compressors										
06Z variable speed twin-screw compressor with AC motor										
Circuit A	Quantity	1	1	1	1	1	1	1	1	1
Circuit B	Quantity	1	1	1	1	1	1	1	1	1
Refrigerant ⁽⁴⁾										
R134a (GWP=1430, ODP=0)										
Circuit A	kg	65	65	63	70	74	93	102	103	106
	tCO ₂ e	93	93	90	100	106	133	146	147	152
Circuit B	kg	66	66	64	71	75	75	82	104	107
	tCO ₂ e	94	94	92	102	107	107	117	149	153
Oil										
SW220										
Circuit A	l	20	20	20	20	20	20	20	20	20
Circuit B	l	20	20	20	20	20	20	20	20	20
Capacity control										
Touch Pilot interface with 7" colour touchscreen										
Minimum capacity ⁽⁵⁾	%	10	10	10	10	10	10	10	10	10
Languages	10 languages (DE, EN, ES, FR, IT, NL, PT, TR, TU + one chosen by the customer)									
Smart energy measurement	Function included as standard									
Wireless connectivity	Option									
Expansion valve										
Electronic expansion valve										
Air-cooled exchanger										
Novation™ micro-channel heat exchanger										
Fans										
Unit + option 119										
Flying Bird™ VI impeller with AC motor and speed regulator										
Unit + option 119+										
Flying Bird™ VI impeller with variable speed EC motor										
Quantity		10	10	10	10	12	14	14	16	16
Maximum total air flow rate	l/s	59300	59300	59300	59300	71160	83020	83020	94880	94880
Maximum rotation speed	r/s	16,0	16,0	16,0	16,0	16,0	16,0	16,0	16,0	16,0
Maximum total air flow rate + option 15LS ⁽³⁾	l/s	44700	43500	52000	52000	64800	67480	75600	74080	83200
Maximum rotation speed + option 15LS ⁽³⁾	r/s	12,3	12	14,2	14,2	14,7	13,2	14,7	12,7	14,2
Water exchanger										
Flooded multi-tube type										
Volume of water	l	83	88	96	100	115	126	144	165	183
Max. water-side operating pressure without hydraulic module	kPa	1000	1000	1000	1000	1000	1000	1000	1000	1000

(1) in dB ref=10⁻¹² W, 'A' weighted. Declared noise emission value in accordance with ISO 4871 with an uncertainty of +/-3 dB(A). Measured in accordance with ISO 9614-1 and certified by Eurovent.

(2) In dB ref 20µPa, 'A' weighted. Declared noise emission value in accordance with ISO 4871 with an uncertainty of +/-3 dB(A). For information, calculated from the sound power L_w(A).

(3) Options: 15 = Low noise level, 15LS = Very low noise level, 116A = LP VSD dual-pump hydraulic mod.; 116W = HP VSD dual-pump hydraulic mod.

(4) Values are guidelines only. Refer to the unit name plate.

(5) Depending on the operating conditions, the unit may have a different minimum capacity and/or cycle on and off.



Eurovent certified values

5 - PHYSICAL AND ELECTRICAL DATA FOR 30KAV UNITS

30KAV options 119/119+	500	550	600	650	720	800	900	1000	1100	
Hydraulic module (option)	Dual-pump, screen filter, relief valve, water drain tap, pressure sensors, expansion vessel (option), heaters (option)									
Pump	Variable speed dual pumps with AC motors									
Expansion vessel volume	l	80	80	80	80	80	80	-	-	-
Max. operating pressure, water side	kPa	400	400	400	400	400	400	-	-	-
Water connections	Victaulic® type									
Without options 116A/116W⁽³⁾										
Connections	inches	5	5	6	6	6	6	8	8	8
External pipe diameter	mm	141,3	141,3	168,3	168,3	168,3	168,3	219,1	219,1	219,1
With options 116A/116W⁽³⁾										
Connections	inches	5	5	5	5	5	5	-	-	-
External pipe diameter	mm	141,3	141,3	141,3	141,3	141,3	141,3	-	-	-
Chassis paint colour	Colour code RAL 7035									

(3) Options: 15 = Low noise level, 15LS = Very low noise level, 116A = LP VSD dual-pump hydraulic mod.; 116W = HP VSD dual-pump hydraulic mod.



Eurovent certified values

5 - PHYSICAL AND ELECTRICAL DATA FOR 30KAV UNITS

5.2 - Electrical data

30KAV		500	550	600	650	720	800	900	1000	1100
Power circuit supply										
Nominal voltage	V-ph-Hz	400-3-50								
Voltage range	V	360-440								
Control circuit supply										
24 V via internal transformer										
Maximum unit power input⁽¹⁾										
Standard unit	kW	230	251	281	295	329	370	416	458	502
Unit + option 16	kW	248	270	300	315	352	402	451	502	551
Maximum capacity power factor^{(1) (2)}										
0.91-0.93										
Cosine phi		>0.98								
Harmonic distortion (THDi) ^{(1) (2)}	%	35-45								
Nominal unit current draw⁽³⁾										
Standard unit	A	265	297	316	340	362	422	468	524	564
Maximum unit current draw (Un)⁽¹⁾										
Standard unit	A	358	390	436	459	511	575	646	712	780
Unit + option 16	A	385	420	466	490	546	625	701	781	856
Maximum unit current draw (Un-10%)⁽¹⁾										
Standard unit	A	392	426	477	502	545	629	688	779	831
Unit + option 16	A	422	459	510	537	582	684	747	855	912
Nominal starting current during operation										
Not applicable (less than the nominal current)										

(1) Values at the unit's maximum operating condition (as shown on the unit's nameplate).

(2) May vary according to the installation's short-circuit ratio

(3) Standardised EUROVENT conditions, water-cooled exchanger water inlet/outlet = 12°C/7°C, outdoor air temperature = 35°C.

Electrical data for units with High energy efficiency option (119) and High energy efficiency+ option (119+)

30KAV		500	550	600	650	720	800	900	1000	1100
Power circuit supply										
Nominal voltage	V-ph-Hz	400-3-50								
Voltage range	V	360-440								
Control circuit supply										
24 V via internal transformer										
Maximum unit power input⁽¹⁾										
Unit + option 119	kW	228	254	264	286	319	362	401	446	484
Unit + option 119+	kW	226	252	261	283	316	359	397	442	479
Unit + option 119 + option 16	kW	245	273	283	306	342	394	436	490	533
Unit + option 119+ + option 16	kW	243	271	280	303	339	391	432	486	528
Maximum capacity power factor^{(1) (2)}										
0.91-0.93										
Cosine phi		>0.98								
Harmonic distortion (THDi) ^{(1) (2)}	%	35-45								
Nominal unit current draw⁽³⁾										
Unit + option 119	A	228	260	285	318	346	374	441	466	535
Unit + option 119+	A	225	257	281	314	341	369	435	460	528
Maximum unit current draw (Un)⁽¹⁾										
Unit + option 119	A	355	395	410	445	495	563	623	693	752
Unit + option 119+	A	352	392	406	441	490	558	617	687	745
Unit + option 119 + option 16	A	382	425	440	476	530	613	678	762	828
Unit + option 119+ + option 16	A	379	422	436	472	525	608	672	756	821
Maximum unit current draw (Un-10%)⁽¹⁾										
Unit + option 119	A	387	425	448	485	533	614	673	757	811
Unit + option 119+	A	384	422	444	481	528	609	667	751	804
Unit + option 119 + option 16	A	417	458	481	520	570	669	732	833	892
Unit + option 119+ + option 16	A	414	455	477	516	565	664	726	827	885
Nominal starting current during operation										
Not applicable (less than the nominal current)										

(1) Values at the unit's maximum operating condition (as shown on the unit's nameplate).

(2) May vary according to the installation's short-circuit ratio

(3) Standardised EUROVENT conditions, water-cooled exchanger water inlet/outlet = 12°C/7°C, outdoor air temperature = 35°C.

5 - PHYSICAL AND ELECTRICAL DATA FOR 30KAV UNITS

5.3 - Short circuit current withstand capability for all units

30KAV		500	550	600	650	720	800	900	1000	1100
Standard machine										
Assigned short-circuit values										
Short time (1s) assigned current - I _{cw}	kA eff	11	11	11	11	11	11	26	26	26
Allowable peak assigned current - I _{pk}	kA pk	80	80	80	80	80	80	110	110	110
Value with electrical protection upstream⁽¹⁾										
Conditional short circuit assigned current I _{cc}	kA eff	50	50	50	50	50	50	50	50	50
Associated protection - type		Fuses (gG/gL)								
Associated protection - maximum rating	A	800	800	800	800	800	800	1250	1250	1250
Unit with option 70D										
Short circuit current withstand capability										
Conditional short circuit assigned current I _{cc}	kA eff	50	50	50	50	50	50	50	50	50

(1) If another current limitation protection system is used, its time-current and thermal constraints (I²t) trip characteristics must be at least equivalent to those of the recommended protection system.

NOTE: The short circuit current withstand capability values above are in accordance with the TN system.

5.4 - Electrical data, optional hydraulic module

The pumps that are factory-installed in these units comply with the European Ecodesign directive ErP. The additional electrical data required⁽¹⁾ is as follows:

Low pressure dual pump motors (option 116A)

No. ⁽²⁾	Description ⁽³⁾		500	550	600	650	720	800
1	Nominal efficiency at full load and nominal voltage	%	89,2	90,3	90,3	90,3	91,3	91,3
	Nominal efficiency at 75% of full load and nominal voltage	%	88,2	90,3	90,3	90,3	91,4	91,4
	Nominal efficiency at 50% of full load and nominal voltage	%	87,3	88,9	88,9	88,9	90,3	90,3
2	Efficiency level	-	IE3					
3	Year of manufacture	-	This information varies depending on the manufacturer and model at the time of incorporation. Please refer to the motor nameplates.					
4	Manufacturer's name and trademark, commercial registration number and place of manufacturer	-	Same as above					
5	Product's model number	-	Same as above					
6	Number of motor poles	-	2	2	2	2	2	2
7-1	Nominal shaft power output at full load and nominal voltage (400 V)	kW	5,5	7,5	7,5	7,5	11	11
7-2	Maximum input power (400 V) ⁽⁴⁾	kW	6,17	8,31	8,31	8,31	12,05	12,05
8	Nominal input frequency	Hz	50	50	50	50	50	50
9-1	Nominal voltage	V	3 x 400					
9-2	Maximum current drawn (400 V) ⁽⁵⁾	A	10,50	13,20	13,20	13,20	18,70	18,70
10	Nominal speed	r/s -	48,6	48,9	48,9	48,9	49,1	49,1
		rpm	- 2917	- 2935	- 2935	- 2935	- 2945	- 2945
11	Product disassembly, recycling or disposal at end of life	-	Disassembly using standard tools. Disposal and recycling using an appropriate company.					
12	Operating conditions for which the motor is specifically designed							
	I - Altitudes above sea level		< 1000 ⁽⁶⁾					
	II - Ambient air temperature		< 40					
	III - Maximum operating temperature		Please refer to the operating conditions given in this manual or in the specific conditions in the Carrier selection programs.					
	IV - Potentially explosive atmospheres		Non-ATEX environment					

(1) Required by regulation No. 640/2009 concerning the application of directive 2009/125/EC on the eco-design requirements for electric motors.

(2) Item number imposed by regulation No. 640/2009, annex I2b.

(3) Description given by regulation No. 640/2009, annex I2b.

(4) To obtain the maximum input power for a unit with hydraulic module, add the "maximum operating input power" for the unit (see Electrical data table) to the pump power.

(5) To obtain the maximum unit operating current draw for a unit with hydraulic module add the "maximum unit operating current draw" (Electrical data table) to the pump current draw.

(6) Above 1000 m, a degradation of 3% for each 500 m should be taken into consideration.

5 - PHYSICAL AND ELECTRICAL DATA FOR 30KAV UNITS

High pressure dual pump motors (option 116W)

No. ⁽²⁾	Description ⁽³⁾		500	550	600	650	720	800
1	Nominal efficiency at full load and nominal voltage	%	90,3	91,3	91,3	91,3	91,6	91,6
	Nominal efficiency at 75% of full load and nominal voltage	%	90,3	91,4	91,4	91,4	92,1	92,1
	Nominal efficiency at 50% of full load and nominal voltage	%	88,9	90,3	90,3	90,3	90,4	90,4
2	Efficiency level	-	IE3					
3	Year of manufacture	-	This information varies depending on the manufacturer and model at the time of incorporation. Please refer to the motor nameplates.					
4	Manufacturer's name and trademark, commercial registration number and place of manufacturer	-	Same as above					
5	Product's model number	-	Same as above					
6	Number of motor poles	-	2	2	2	2	2	2
7-1	Nominal shaft power output at full load and nominal voltage (400 V)	kW	7,5	11	11	11	15	15
7-2	Maximum input power (400 V) ⁽⁴⁾	kW	8,31	12,05	12,05	12,05	16,38	16,38
8	Nominal input frequency	Hz	50	50	50	50	50	50
9-1	Nominal voltage	V	3 x 400					
9-2	Maximum current drawn (400 V) ⁽⁵⁾	A	13,20	18,70	18,70	18,70	25,20	25,20
10	Nominal speed	r/s	48,9	49,1	49,1	49,1	49,1	49,1
		rpm	- 2935	- 2945	- 2945	- 2945	- 2945	- 2945
11	Product disassembly, recycling or disposal at end of life	-	Disassembly using standard tools. Disposal and recycling using an appropriate company.					
12	Operating conditions for which the motor is specifically designed							
	I - Altitudes above sea level		< 1000 ⁽⁶⁾					
	II - Ambient air temperature		< 40					
	III - Maximum operating temperature		Please refer to the operating conditions given in this manual or in the specific conditions in the Carrier selection programs.					
	IV - Potentially explosive atmospheres		Non-ATEX environment					

(1) Required by regulation No. 640/2009 concerning the application of directive 2009/125/EC on the eco-design requirements for electric motors.

(2) Item number imposed by regulation No. 640/2009, annex I2b.

(3) Description given by regulation No. 640/2009, annex I2b.

(4) To obtain the maximum input power for a unit with hydraulic module, add the "maximum operating input power" for the unit (see Electrical data table) to the pump power.

(5) To obtain the maximum unit operating current draw for a unit with hydraulic module add the "maximum unit operating current draw" (Electrical data table) to the pump current draw.

(6) Above 1000 m, a degradation of 3% for each 500 m should be taken into consideration.

5.5 - Compressor usage per circuit (A, B)

Compressor	Circuit	500	550	600	650	720	800	900	1000	1100
06ZCE1H3AA06013	A	1	1	-	-	-	-	-	-	-
	B	1	1	-	-	-	-	-	-	-
06ZCE1T3AA06013	A	-	-	1	1	1	-	-	-	-
	B	-	-	1	1	1	1	1	-	-
06ZFC2T3AA06013	A	-	-	-	-	-	1	1	1	1
	B	-	-	-	-	-	-	-	1	1

5 - PHYSICAL AND ELECTRICAL DATA FOR 30KAV UNITS

Electrical data notes and operating conditions for 30KAV units

- 30KAV 0500 to 1100 units have a single power connection point located immediately upstream of the main disconnect switch.
With the exception of machines equipped with option 70D, a part of the short circuit protection is not provided and must be carried out on the installation, in compliance with the instructions given in this document.
 - The two electrical cabinets contain:
 - A power supply disconnect switch: disconnect switch or circuit breaker/disconnector switch if option 70D is present,
 - All or part of the equipment protecting the circuits inside the machine from short circuits.⁽¹⁾
 - The variable frequency drives for actuation and overload protection of the compressor, fan, and pump motors,
 - The switching equipment for the heaters and fans for the electrical equipment,
 - The control devices.
 - Connections to the building installation:
Electrical installation and all the connections to the network must be carried out in compliance with all standards applicable to the installation location.⁽²⁾
30KAV units are designed and built to ensure compliance with these regulations. The recommendations of European standard EN 60204-1 (corresponds to IEC 60204-1 - Machine safety - Electrical equipment of machines - part 1: General requirements) are specifically taken into account when designing the electrical equipment.
- Remarks**
- The standard EN60204-1 is designed to meet the requirements of the Machinery Directive.
 - Annex B of EN 60204-1 enables the electrical characteristics used for the operation of the machines to be defined. Those described below apply alongside the other information provided in this document:
1. Environment
The classification of the environment is specified in standard IEC60364:
 - Outdoor installation⁽³⁾,
 - Ambient temperature range for the standard machine: from -20°C to +44°C (48°C)⁽⁴⁾,
Ambient temperature range for the machine with option 16: from -20°C to +48°C (55°C)⁽⁴⁾,
 - Altitude: up to 1000 m (2000m)⁽⁵⁾
 - Presence of solid foreign bodies: Class AE3 (no significant dust present)⁽³⁾,
 - Presence of corrosive and polluting substances, class AF1 (negligible),
 - Competence of personnel: BA4 (trained personnel).
 2. Compatibility for low-frequency conducted disturbances according to class 2 levels as per IEC61000-2-4 standard:
 - Power supply frequency variation: +-1Hz,
 - Phase imbalance: 2%,
 - Total Voltage Harmonic Distortion (THDV): 8 %,
 3. The neutral wire (N) must not be connected directly to the unit (if necessary, use a transformer).
 4. Overcurrent protection of the power supply conductors is not provided with the unit.
5. The factory-fitted disconnect switch is of a type suitable for power interruption in compliance with EN 60947-3 (equivalent to IEC 60947-3).
 6. The units are designed for connection to TN networks (IEC 60364). In IT networks, the use of filters integrated into the frequency inverter(s) prevents the machines from fulfilling their intended purpose. In addition, the equipment characteristics in case of insulation failure have been modified. Provide a local earth, consult competent local organisations to complete the electrical installation.
 7. Electromagnetic environment: the classification of the electromagnetic environment is described in the standard EN61800-3 (equivalent to IEC 61800-3):
 - Immunity to external interference defined by the second environment⁽⁶⁾
 - Interference emission as defined in category C3⁽⁷⁾
- The variable frequency drives integrated into 30KAV machines have harmonic currents which are a source of interference. An analysis may be required to verify if this interference exceeds the compatibility limits of the other devices connected to the same power supply network. The compatibility levels inside an electrical installation, that must be met at the in-plant coupling point (IPC) to which other loads are connected, are described in standard IEC 61000-2-4.
 - Leakage currents: if protection by monitoring the leakage currents is necessary to ensure the safety of the installation, the presence of additional derived currents introduced by the use of variable frequency drives in the unit must be considered. In particular the reinforced immunity protection types and a control value not lower than 150 mA are recommended when selecting control differential protection devices.
- Remark:** If particular aspects of an installation require different specifications to those listed above (or which are not listed), contact your Carrier representative.
- (1) Depending on the options selected for the machine
 - (2) Generally, the recommendations of the International Electrotechnical Commission document (IEC60364) are accepted as compliance with the requirements of the installation guidelines.
 - (3) The required protection level for this class is IP43BW (according to the reference standard IEC 60529). All 30KAV units are classified as IP44CW, and fulfil this protection condition.
 - (4) The values in brackets correspond to operation with degraded thermal performances.
 - (5) Above 1000m, the maximum temperature must be reduced by 0.5K for every additional 100m up to 2000m,
 - (6) - Example of installations included in the first environment: commercial and residential buildings.
- Example of installations of the second environment: Industrial zones, technical premises powered from a dedicated transformer.
 - (7) Category C3 is suitable for use in an industrial environment and is not designed for use in a public low-voltage system that supplies residential locations. As an option, conformity with category C2 permits this type of installation.

6 - ELECTRICAL CONNECTION

Please refer to the certified dimensional drawings, supplied with the unit.

6.1 - Power supply

The power supply must conform to the specification on the chiller nameplate. The supply voltage must be within the range specified in the electrical data table. For connections, refer to the wiring diagrams.

WARNING: Operating the chiller with an incorrect supply voltage or excessive phase imbalance constitutes misuse which will invalidate the Carrier warranty. If the phase imbalance exceeds 2% for voltage, or 10% for current, contact your local electricity supplier and ensure that the chiller is not switched on until corrective measures have been taken.

6.2 - Voltage phase imbalance (%)

$$\frac{100 \times \text{max. deviation from average voltage}}{\text{Average voltage}}$$

Example:

On a 400 V - 3 ph - 50 Hz supply, the individual phase voltages were measured with the following values:

AB = 406 V; BC = 399; AC = 394 V

Average voltage = $(406 + 399 + 394)/3 = 1199/3$

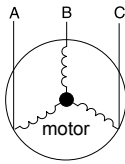
= 399.7 say 400 V

Calculate the maximum deviation from the 400 V average:

(AB) = 406 - 400 = 6

(BC) = 400 - 399 = 1

(CA) = 400 - 394 = 6



The maximum deviation from the average is 6 V. The greatest percentage deviation is:

$$100 \times 6/400 = 1.5\%$$

This is less than the permissible 2% and therefore acceptable.

6.3 - Power connection/disconnect switch

30KAV0500 to 1100 machines are equipped with a single electrical power connection point .

6.4 - Recommended wire sections

Wire sizing is the responsibility of the installer, and depends on the characteristics and regulations applicable to each installation site.

The cable selections given in this document are therefore only given as a guide, and do not in any way incur Carrier's liability. After wire sizing has been completed, using the certified dimensional drawing, the installer must verify the appropriate means of connection and define any modifications necessary on site.

The connections provided as standard for the customer-supplied power supply cables, on the main disconnect switch, are designed for the number and type of cross sections given in the second column of the table below.

The calculations have been performed using the maximum possible current on the machine (see electrical data notes table).

The calculations of favourable and unfavourable cases have been performed using the maximum current for each unit (see electrical data notes table). The study includes the standardised installation cases according to IEC 60364: cable with PVC (70°C) or XLPE (90°C) insulation with copper core; fitted in accordance with table 52c of the standard. The maximum ambient temperature taken into consideration for this study is 46°C. The given maximum length is calculated to limit the voltage drop to 5%.

IMPORTANT: Before connecting the main power cables (L1 - L2 - L3), it is imperative to check the correct order of the 3 phases before connecting to the main disconnect/isolator switch.

6.5 - Power cable access routing

The power cable access routing into the electrical cabinet is from the side or underneath of the unit: refer to the plans for the unit.

The choice depends on the installation configuration of the machine and the specifications of the cables to be connected:

Cable access routing from the side of the unit: this configuration allows a larger number of cables to be connected and/or for larger curve radii.

Cable access routing from underneath: this configuration requires the unit to be raised in relation to the cable routing level (for example: fitting on rails and supports). The quantity of conductors which can be connected, and the bending radius needed, are also restricted.

The installer is responsible for ensuring the electrical cabinet is sealed around the power cable access routing. Holes must be drilled in the plate provided, and the latter must be assembled.

IMPORTANT: check the bending radius for the cable access routing underneath the unit. Refer to the certified dimensional drawing for the unit.

6 - ELECTRICAL CONNECTION

Minimum and maximum cable section selection table for connection to 30KAV units

30KAV	Max. connectable section ⁽¹⁾		Calculation of favourable case:			Calculation of unfavourable case		
			- Suspended overhead line (standardised routing no. 17) - Cable insulated to 90°C - Copper conductor (Cu)			- Conductors in ducts or multi-conductor cables in closed conduits (standardised routing no. 41) - Cable insulated to 70°C when possible - Copper conductor (Cu)		
	Connected from the side	Connected from underneath	Section ⁽²⁾	Max length for a voltage drop <5%	Cable type ⁽³⁾	Section ⁽²⁾	Max length for a voltage drop <5%	Cable type ⁽³⁾
qty x mm ² (per phase)	qty x mm ² (per phase)	qty x mm ² (per phase)	m	-	qty x mm ² (per phase)	m	-	
Standard unit								
500	4 x 240	3 x 240	1 x 185	260	90°C	2 x 185	450	70°C
550	4 x 240	3 x 240	1 x 185	230	90°C	2 x 240	490	70°C
600	4 x 240	3 x 240	1 x 240	260	90°C	2 x 240	430	70°C
650	4 x 240	3 x 240	1 x 240	240	90°C	3 x 185	460	70°C
720	4 x 240	3 x 240	2 x 120	300	90°C	3 x 240	480	70°C
800	4 x 240	3 x 240	2 x 150	230	90°C	3 x 240	420	70°C
900	4 x 240	3 x 240	2 x 185	240	90°C	4 x 240	440	70°C
1000	4 x 240	3 x 240	2 x 240	260	90°C	4 x 240	400	70°C
1100	4 x 240	3 x 240	3 x 150	230	90°C	3 x 240	310	90°C

(1) Connection capacities actually available for each machine. These are defined according to the connection terminal size, the electrical box access opening dimensions, and the available space inside the electrical box.

(2) Selection simulation result considering the hypotheses indicated.

(3) If the maximum calculated selection is for a 90° cable type, this means that a selection based on a 70°C cable type can exceed the connection capacity actually available. Special attention must be given to the selection.

NOTE: The currents considered are given for a machine without options.

6.6 - Field control wiring

IMPORTANT: Connecting the interface circuits on-site creates certain safety risks; any modification to the electrical box must ensure the equipment remains compliant with local regulations. In particular, precautions must be taken to prevent accidental electrical contact between the circuits supplied by different sources:

- The choice of routing and/or insulation characteristics of the conductors ensures double electrical insulation.
- The conductors should be fixed together inside the electrical box to prevent contact between the end of the conductor and a live part in case of accidental disconnection.

Refer to the Touch Pilot 30KAV control manual and the certified wiring diagram supplied with the unit for the field control wiring for the following features:

- Remote on/off switch,
- Capacity limit external switch,
- Remote dual setpoint,
- Operating and alarm feedback,
- Evaporator pump control,
- Setpoint offset,
- Various interlocks on the Energy Management Module (EMM) board option,
- Control of the variable speed evaporator pump (option),
- Refrigerant leakage detection signal (option).

Connections to the customer communication bus

The CCN bus is connected using the connectors specifically provided inside the electrical box. Two connectors are provided to allow both permanent and service connections.

The permanent Ethernet bus and USB service socket are connected using the connector integrated into the touchscreen interface.

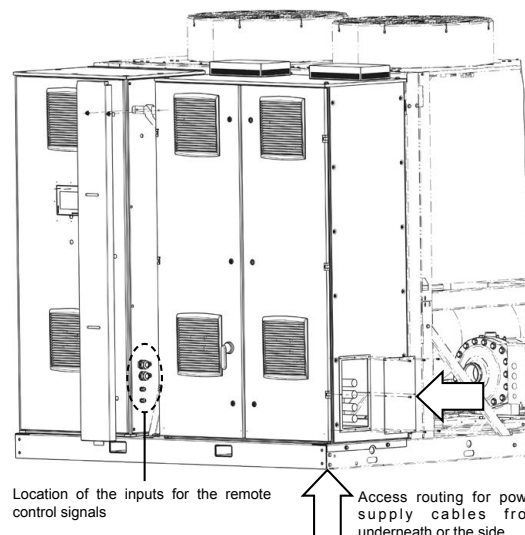
A shielding clamp for the cable from the system is provided near the permanent bus connectors.

6.7 - Customer and service power reserves

After all possible options have been connected, the CT transformer ensures the availability of a 1 A power reserve at 24 VAC for the on-site control cabling.

As an option, the second CT transformer also supplies the 230 V 50 Hz circuit provided to charge a laptop battery, maximum of 0.80 A. This is connected using a CEE7/17 standard, type E socket. A earth leakage switch provides this circuit with additional protection. Its cut-off setting is 10 mA.

Location of the openings for inserting external connections



7 - APPLICATION DATA

7.1 - Unit operating range

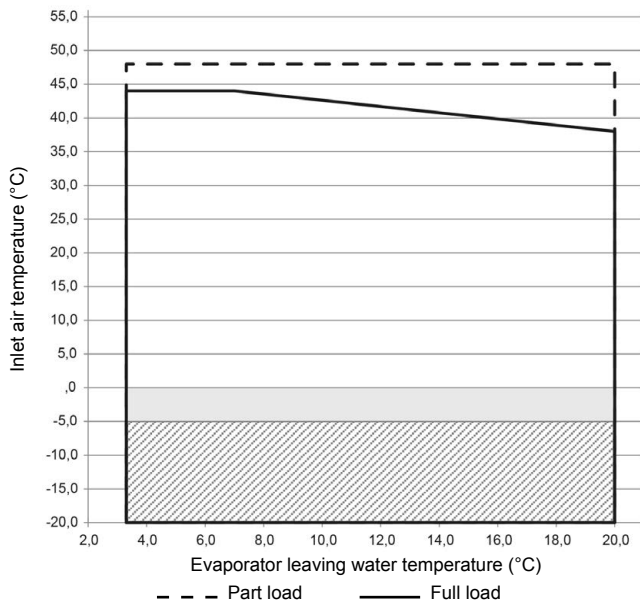
Evaporator water temperature	Minimum	Maximum	
Water inlet at start-up	°C	-	45 ⁽¹⁾
Water inlet during operation	°C	6,8	25
Water outlet in operation	°C	3.3 ⁽²⁾	20
Air temperature at the condenser	Minimum	Maximum	
Ambient air for storage	°C	-20	68
Ambient air during operation			
Standard unit	°C	-20 ⁽⁴⁾	48 ⁽¹⁾
Unit + option 16 ⁽³⁾	°C	-20 ⁽⁴⁾	55 ⁽¹⁾

NOTES:

- The use of a glycol/water mix or the frost protection option is mandatory if the leaving water temperature is less than 4°C,
- The use of a glycol/water mix or the frost protection option is mandatory if the air temperature is less than 0°C.

- (1) Operation at partial load
 (2) Based on the installation type and the air temperature
 (3) Option 16 = High ambient temperature
 (4) Option 41A compulsory for start-ups below -5°C

Standard unit

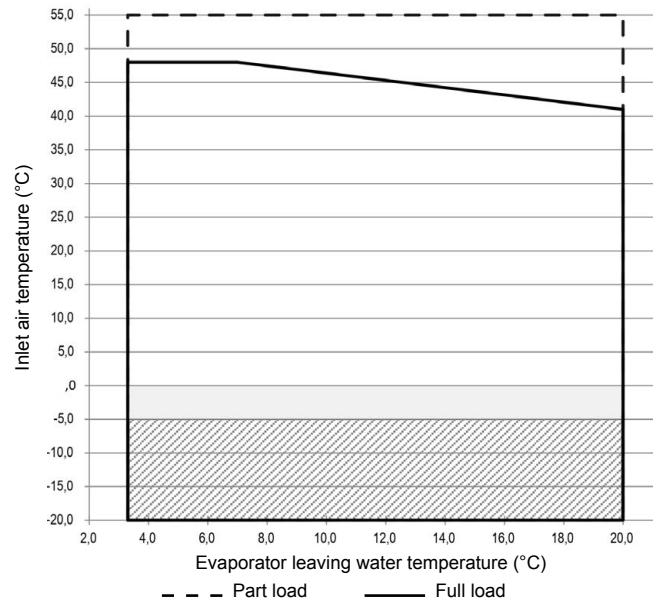


- Note:**
- Evaporator $\Delta T = 5K$
 - These operating ranges are guidelines only. Check the operating range in the Carrier electronic catalogue.

Key:

- Operating range, standard unit
- At an air temperature of below 0°C, either the machine must be equipped with option 41A, or the water loop must be protected against freezing by an antifreeze solution (by the installer)
- For start-ups at an air temperature below -5°C, the machine must be equipped with option 41A

Unit with High ambient temperature option (opt. 16)



Note:

- Evaporator $\Delta T = 5K$
- These operating ranges are guidelines only. Check the operating range in the Carrier electronic catalogue.

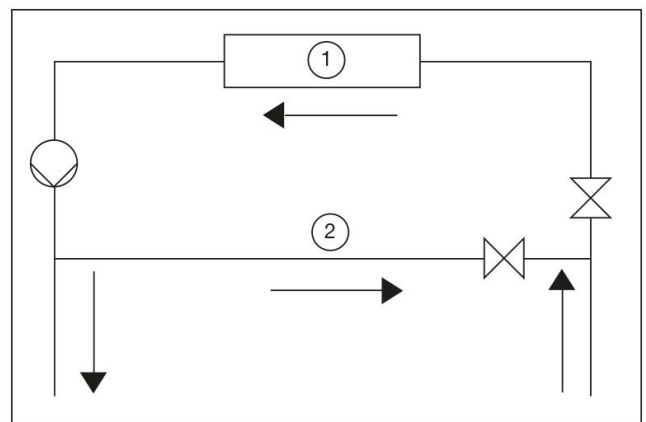
Key:

- Operating range, unit with High ambient temperature option (opt. 16)
- At an air temperature of below 0°C, either the machine must be equipped with option 41A, or the water loop must be protected against freezing by an antifreeze solution (by the installer)
- For start-ups at an air temperature below -5°C, the machine must be equipped with option 41A

7.2 - Minimum chilled water flow (units without hydraulic module)

The minimum chilled water flow is shown in the table on the next page. If the installation flow rate is less than the minimum unit flow rate, the evaporator flow can be recirculated, as shown in the diagram.

For minimum chilled water flow rate



Key:

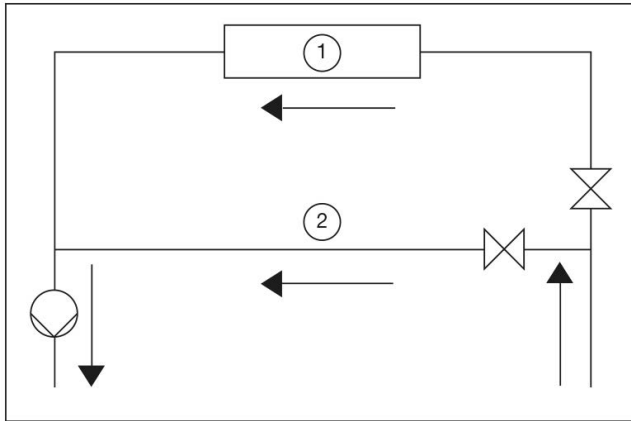
- 1. Evaporator
- 2. Recirculation

7 - APPLICATION DATA

7.3 - Maximum chilled water flow (units without hydraulic module)

The maximum chilled water flow is shown in the table on the next page. If the installation flow rate exceeds the maximum unit flow rate, it can be bypassed as shown in the diagram.

For maximum chilled water flow rate



Key:
1. Evaporator
2. Bypass

7.4 - Variable flow evaporator

Variable evaporator flow can be used in standard chillers. The flow rate must be higher than the minimum flow given in the table of permissible flow rates and must not vary by more than 10% per minute.

If the flow rate changes more rapidly, the system should contain a minimum of 6.5 litres of water per kW instead of 3.25 l/kW.

The flow rate can also be controlled by the unit via option 299: Checking the variable water flow rate.

This option allows the unit to control an external pump in order to maintain a constant inlet/outlet temperature difference, a constant outlet pressure or an unoccupied mode.

7.5 - System minimum water volume

Whichever the system, the water loop minimum capacity is given by the formula:

$$\text{Capacity} = \text{Cap (kW)} \times \text{N litres}$$

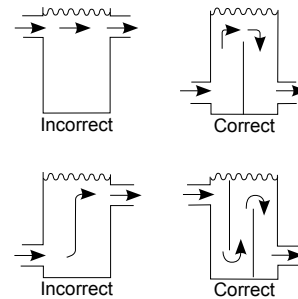
Application	N
Normal air conditioning	3,25
Process type cooling	6,5

where Cap is the nominal system cooling capacity (kW) at the nominal operating conditions of the installation.

This volume is necessary for stable operation.

It may be necessary to add a buffer water tank to the circuit in order to achieve the required volume. The tank must itself be internally baffled in order to ensure proper mixing of the liquid (water or brine). Please refer to the examples below.

Connection to a buffer tank



7.6 - System maximum water volume.

Units supplied with a hydraulic module may include an expansion tank which limits the volume in the water loop.

The table below gives the maximum loop volume compatible with the expansion vessel (for pure water or ethylene glycol depending on the system's various concentrations and static pressures). If this volume is less than the volume of the installed loop, then it is necessary to add an additional expansion vessel within the system.

30KAV		30KAV 500-800		
Static pressure	bar	1	2	2,5
Pure water	l	3960	2640	1980
10% EG	l	2940	1960	1470
20% EG	l	2100	1400	1050
30% EG	l	1740	1160	870
40% EG	l	1500	1000	750

CW: ethylene glycol

7 - APPLICATION DATA

7.7 - Evaporator water flow rate

Units without hydraulic module

30KAV	Minimum flow rate ⁽¹⁾ (l/s)	Maximum flow rate ⁽¹⁾ (l/s)
500	6,8	49,1
550	7,9	49,1
600	8,4	60,2
650	9,2	61,8
720	9,7	71,3
800	10,7	69,7
900	11,3	81,6
1000	12,4	89,5
1100	14,8	98,2

(1) Standard evaporator and heat-transfer medium = water

Units with low pressure hydraulic module (116A)

30KAV	Minimum flow rate (l/s)	Maximum flow rate (l/s)
500	(1)	35,2
550	(1)	34,2
600	(1)	34,2
650	(1)	34,2
720	(1)	52,8
800	(1)	52,8

(1) See unit without hydraulic module

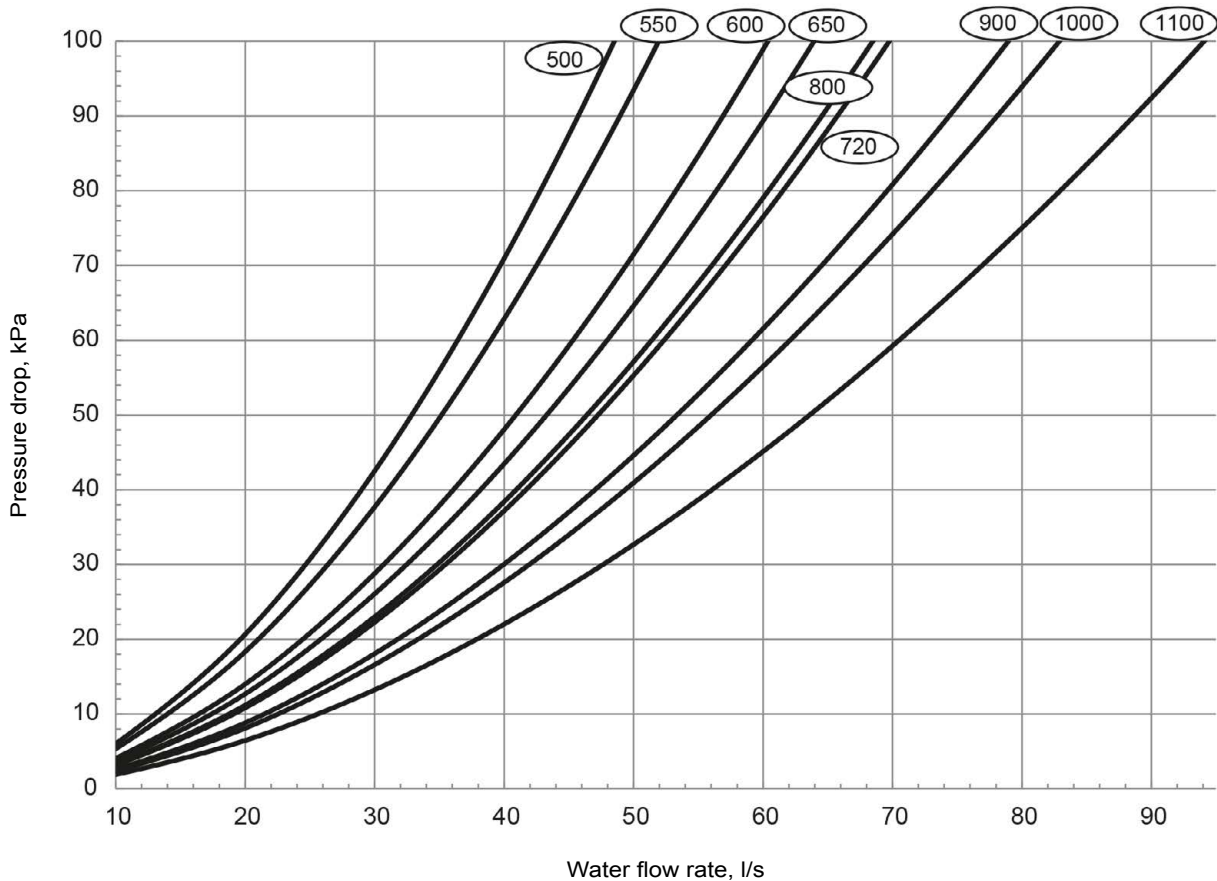
Units with high pressure hydraulic module (116W)

30KAV	Minimum flow rate (l/s)	Maximum flow rate (l/s)
500	(1)	34,2
550	(1)	34,6
600	(1)	34,6
650	(1)	34,6
720	(1)	69,4
800	(1)	69,4

(1) See unit without hydraulic module

7.8 - Evaporator pressure drop curves

Data applicable for pure water at 20°C.



8 - WATER CONNECTIONS

WARNING: Before carrying out any water connections, install the water box bleed plugs (one plug in the lower section of each water box -supplied in the electrical cabinet).

When connecting units to the water distribution pipe work, refer to the certified dimensional drawings supplied with the unit for the dimensions and position of the exchanger water inlet and outlet connections.

The piping must not transmit any axial or radial force to the exchangers, or any vibrations.

The water must be analysed. Depending on the results, the circuit created must include the elements needed for water treatment: filters, additives, intermediate exchangers, bleed devices, vents, isolation valves, etc., to prevent corrosion, fouling, and deterioration of the pump fittings.

Carrier recommendations on heat exchange fluids:

1. **No NH⁴⁺ ammonium ions in the water, as these cause significant damage to copper. This is one of the most important factors governing the service life of copper piping. A content of several tenths of mg/l will badly corrode the copper over time.**
2. **• Cl⁻ chloride ions also cause damage to copper with a risk of perforating corrosion. If possible keep below 125 mg/l.**
3. **SO₄²⁻ sulphate ions can cause perforating corrosion if their content is above 30 mg/l.**
4. **No fluoride ions (<0.1 mg/l).**
5. **No Fe²⁺ and Fe³⁺ ions if non negligible levels of dissolved oxygen are present. Dissolved iron < 5 mg/l with dissolved oxygen < 5 mg/l.**
6. **Dissolved silicon: silicon is an acid element of water and can also lead to a risk of corrosion. Content < 1 mg/l.**
7. **Water hardness: >0.5 mmol/l. Values between 1 and 2.5 mmol/l can be recommended. This will facilitate scale deposit that can limit corrosion of copper. Values that are too high can cause piping blockage over time. A total alkalimetric titre (TAC) below 100 mg/l is desirable.**
8. **Dissolved oxygen: any sudden change in water oxygenation conditions must be avoided. It is as detrimental to deoxygenate the water by mixing it with inert gas as it is to over-oxygenate it by mixing it with pure oxygen. The disturbance of the oxygenation conditions encourages destabilisation of copper hydroxides and shedding of particles.**
9. **Electric conductivity 10-600µS/cm**
10. **pH: Ideal case pH neutral at 20-25°C (7.5 < pH < 9).**

If the hydraulic circuit is drained for a period of more than one month, blanket the entire circuit with nitrogen to prevent any risk of corrosion by differential aeration.

WARNING: Filling, topping up, or emptying of the water circuit must be carried out by qualified personnel using the air bleed devices and tools and equipment suitable for the products.

The heat-transfer medium should be filled and drained using devices fitted to the water circuit by the installer. Never use the unit heat exchangers to add heat exchange fluid.

8.1 - Operating precautions

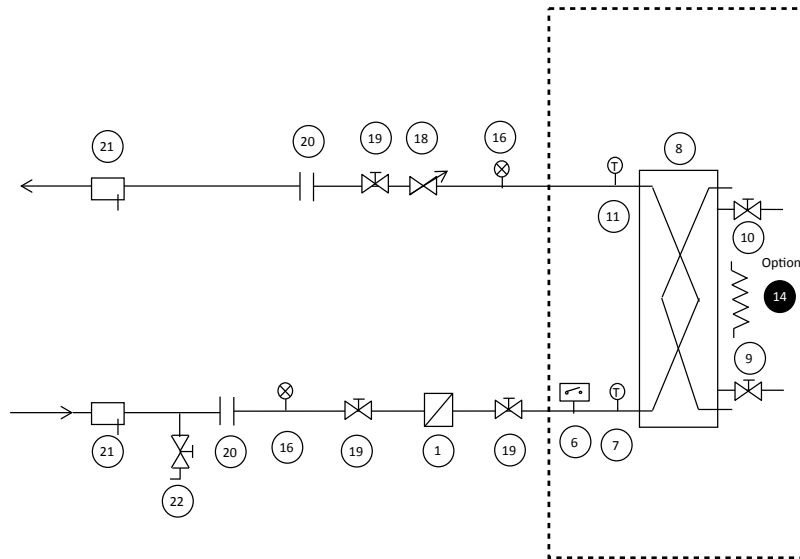
The water circuit should be designed to have the least number of elbows and horizontal pipe runs at different levels. Below the main points to be checked for the connection:

- Ensure the inlet water and outlet pipes are connected in the direction shown on the unit.
- Install manual or automatic vents at all high points in the circuit(s).
- Maintain the pressure of the circuit(s) with pressure-reducing valves and install a relief valve and an expansion vessel.
- Units equipped with the hydraulic module include a relief valve. Units with option 293 include an expansion vessel.
- Install thermometers in both the water inlet and outlet pipes.
- Install drain connections at all low points to allow the whole circuit(s) to be drained.
- Install shut-off valves close to the water inlet and outlet connections.
- Use flexible connections to reduce the transmission of vibrations.
- Insulate the cold water pipework, after pressure testing, to prevent heat transmission and condensation.
- Cover the insulation with a vapour barrier.
- If there are particles in the fluid which are liable to foul the exchanger, a screen filter must be installed upstream of the pump. The mesh size of this filter must be 1.2 mm (see Typical hydraulic installation diagram).
- Do not introduce any excessive static or dynamic pressure into the heat exchange circuit (with regard to the design operating pressures).
- Before any start-up, verify that the heat-transfer medium is compatible with the materials and the water circuit coatings.
- If additives or fluids other than those recommended by Carrier are used, ensure that these are not considered gases, and that they are class 2, as defined in directive 2014/68/UE.

8 - WATER CONNECTIONS

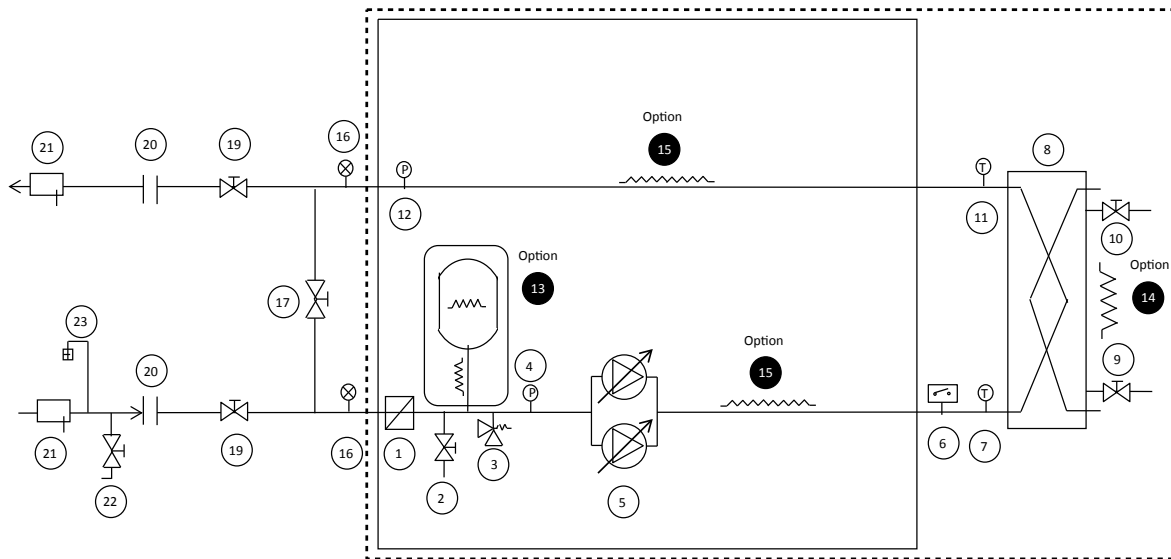
8.2 - Victaulic type hydraulic connections

Typical hydraulic circuit diagram without hydraulic module



The hydraulic module options are only compatible with closed loops.
The use of the hydraulic module on open systems is prohibited.

Typical hydraulic circuit diagram with hydraulic module



Key

Components of the unit and hydraulic module

1. Screen filter (particle size of 1.2 mm)
2. Water drain tap
3. Relief valve
4. Pressure sensor
NOTE: Provides pressure information for the pump suction inlet (see Control manual)
5. Variable speed dual pump (high or low pressure)
6. Water exchanger flow rate sensor
7. Temperature probe
NOTE: Provides temperature information for the water exchanger inlet (see Control manual)
8. Evaporator
9. Water purge (evaporator)
10. Air purge (evaporator)
11. Temperature probe
NOTE: Provides temperature information for the water exchanger outlet (see Control manual)
12. Pressure sensor
NOTE: Provides pressure information for the water exchanger outlet (see Control manual)
13. Expansion vessel (Option 293)
14. Heater for evaporator frost protection (option 41A & 41B)
15. Heater for hydraulic module frost protection (option 41B)

Installation components

16. Pressure gauge
17. Bypass valve for frost protection (if shut-off valves (item 19) are closed during winter)
18. Water flow control valve
19. Shut-off valve
20. Pocket
21. Flexible connection
22. Charge valve
23. Air bleed

..... Included with the unit

----- Hydraulic module (unit with hydraulic module option 116A & 116W)

NOTES:

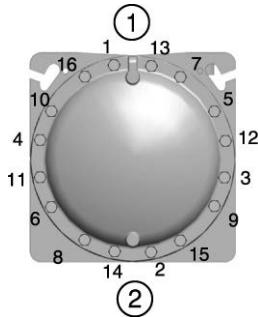
- The system must be protected against frost.
- The unit's hydraulic module and the water heat exchanger may be protected against freezing using electric heaters and heat trace cables (factory-fitted options 41A & 41B).
- The pressure sensors are assembled on connections without Schrader. Depressurise and drain the system before any work.

8 - WATER CONNECTIONS

8.3 - Tightening the screws on the evaporator water boxes

The evaporator is of the shell and tube type with removable water boxes to facilitate cleaning. Before the unit is first filled with water, or after cleaning, tighten or re-tighten the boxes as per the diagram below.

Water box tightening sequence



Key

- ① Sequence 1: 1 2 3 4
- Sequence 2: 5 6 7 8
- Sequence 3: 9 10 11 12
- Sequence 4: 13 14 15 16
- ② Tightening torque
Bolt rating
M16 - 171 - 210 Nm

NOTE: During this procedure, we recommend that the circuit is drained and the pipes are disconnected to ensure that the bolts are tightened correctly and uniformly.

8.4 - Water flow rate detection

All the units are equipped as standard with a flow switch set in the factory (according to the size of the unit and the application). If adjustment is necessary, it must be performed by qualified personnel, approved by Carrier Service.

The heat-transfer fluid pump must be controlled by the chiller if the unit is not equipped with the hydraulic module option.

Dedicated terminals are provided for connection to the pump control (wiring from chiller to pump control panel by others).

IMPORTANT: The water flow switch for the machine must be operational. The Carrier warranty will be voided if this instruction is not adhered to.

8.5 - Frost protection

WARNING: Damage caused by frost is not covered by the warranty.

The evaporator, the pipes, and the hydraulic module pumps can be damaged by frost. The components of the unit (evaporator & hydraulic module) will be protected by following the recommendations below. Protection of the remainder of the system is the responsibility of the installer.

8.5.1 - Standard machine

If the chiller or the water pipes are in an area where the ambient temperature is liable to fall below 0°C, it is recommended that antifreeze solution is added (maximum of 45%, 40% for a unit with a hydraulic module) to protect the unit and the water pipes to a temperature of 10 K below the lowest temperature likely to be reached at the installation site.

Only use antifreeze solutions approved for use with heat exchangers. If antifreeze solution is not added to the circuit, and the unit is not intended to be operated during freezing conditions,

the evaporator, the hydraulic module, and the outside pipes must be drained. Check that there are no retention points.

8.5.2 - Frost protection heater option

In cases where it is not possible to apply the recommendations in the paragraph above (§ 8.5.1), the units can be equipped with heaters to protect the evaporator and the hydraulic module against frost (option 41A or 41B).

The antifreeze solution and the heaters can be combined.

Protecting units with a hydraulic module against frost requires water circulation in the hydraulic circuit. The unit pump will start up automatically at regular intervals.

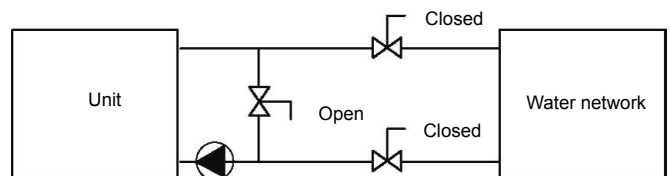
Combination of options for the periods when the machine is in standby mode

Ambient unit temperature range	30KAV 500-1100	30KAV 500-800
	without option 116	with option 116
> 0°C to 48°C	-	-
-20°C to 0°C	Option 41A or Appropriate antifreeze solution (for example glycol)	Option 41B ⁽¹⁾ or Appropriate antifreeze solution (for example glycol) ⁽¹⁾

(1) Allow the pumps to circulate. If the system is isolated by valves, install a bypass (see diagram for winter position).

If the system is isolated by a valve, it is imperative to install a bypass as indicated below.

Winter position



IMPORTANT: Depending on the atmospheric conditions in your region, you need to:

- Add ethylene glycol in an appropriate concentration to protect the system down to a temperature of 10 K below the lowest temperature likely to occur locally.
- Where applicable, if a long period without use is expected, drain and, as a safety measure, add ethylene glycol to the exchanger via the drain valve located on the water inlet (a drain is available on the water boxes either side of the exchanger if the machine is not perfectly level).
- To prevent corrosion due to differential aeration, any heat-transfer medium circuits drained for longer than 1 month should be protected with a blanket of dry, inert gas (0.5 bar maximum). If the heat-transfer fluid does not meet the recommendations, a nitrogen blanket must be applied immediately.
- At the commencement of the next season, fill the system with water treated with appropriate corrosion inhibitors.

8 - WATER CONNECTIONS

- *If additional equipment is added to the system, the installer must comply with the basic recommendations, especially the minimum and maximum flow rates which must be between the values shown in the operating limits table (application data).*
- *If frost protection is dependent on electric heaters, never de-energize the unit when frost protection is required.*
- *To enable this, the unit's main disconnect switch and the auxiliary circuit breakers protecting the heaters must be left closed (see the wiring diagram for the location of these components).*
- *If it is not to be used in freezing conditions, or during a prolonged period without power (whether or not this is scheduled), the evaporator and the outside pipes must be drained without delay*
- *In case of prolonged non-usage, the hydraulic circuits must be protected by circulating a passivating solution. (Consult a specialist).*
- *The evaporator temperature sensors are an essential frost protection element: if piping trace heaters are used, ensure the external heaters do not affect the measurements provided by these sensors.*

To check the heater circuit is "operational". See Section 13 - "Standard maintenance".

8.6 - Protection against cavitation (with option 116)

To ensure the durability of pumps fitted within the integrated hydraulic modules, the control algorithm for 30KAV units includes protection against cavitation. It is therefore necessary to ensure a minimum pressure at the pump inlet both when shut down and during operation (see Chapter 9.2 - "NPSH"). A pressure below the predefined threshold will prevent unit start-up, or will cause an alarm and shut-down. Before complete shutdown following an alarm, the user interface will give an advance warning that this threshold has been exceeded.

To obtain an adequate pressure, it is recommended:

- that the hydraulic circuit is pressurised between 100 kPa (1 bar) and 400 kPa (4 bar) maximum at the pump inlet,
- that the hydraulic circuit is cleaned when filled with water or when modified,
- that the screen filter is cleaned regularly.

8.7 - Adjusting the installation nominal water flow rate

Refer to the schematic diagram in the "Water connections" paragraph for all item references in this chapter.

The water circulation pumps have been sized to allow the hydraulic modules to operate in all likely system operating conditions, i.e. at a range of temperature differences between the water inlet and outlet at full load from 3 to 10 K.

This temperature difference required between the water inlet and outlet determines the nominal flow rate of the system. Use the specification provided when selecting the unit to determine the system's operating conditions.

In particular, collect the data necessary for setting the installation flow rate:

- Unit without hydraulic module: the nominal pressure drop at the evaporator connections. This is measured with pressure differential gauges that must be installed at the unit's inlet and outlet (item 16).
- Unit with variable speed pump – control on temperature difference: nominal Delta T at the evaporator.
- Unit with variable speed pump – control on constant outlet pressure: pressure at the hydraulic module outlet.
- Unit with variable speed pump – control on pressure differential: Delta P at the hydraulic module connections.
- Unit with variable speed pump – control on fixed speed: nominal flow rate.

If this information is not available when commissioning the system, contact the design office responsible for the installation to obtain it.

Flow rates for a delta T of 5K at the evaporator can be found in the product technical literature. Flow rates for any other delta T (between 3K and 10K) can be obtained from the "Electronic Catalogue" selection program.

8.7.1 - Units without hydraulic module

General information

The nominal flow rate of the installation will be set using a manual valve that should be installed on the water outlet piping (item 18).

Due to the pressure drop it generates on the hydraulic network, this flow control valve is used to set the network pressure/flow rate curve to the pump pressure/flow rate curve, to obtain the nominal flow rate at the desired operating point.

This will be checked using the reading for the pressure drop in the unit (evaporator).

As the exact total installation pressure drop is not known prior to commissioning, it is necessary to adjust the water flow rate with the control valve (item 18) to obtain the installation's specific flow rate.

Hydraulic circuit cleaning procedure

- Open all control valves completely (item 18).
- Start up the system pump.
- Read the evaporator pressure drop as the difference on the pressure gauge connected to the unit inlet then the outlet (item 16).
- Let the pump run for 2 hours continuously to flush the system's hydraulic circuit (presence of contaminating solids).
- Perform another reading.
- Compare this value to the initial value.

8 - WATER CONNECTIONS

An increasing Delta P value indicates that the filters on the installation need to be removed and cleaned. In this case, close the shut-off valves on the water inlet and outlet (item 19). Remove then clean the filters (item 1) after draining the hydraulic part of the unit (item 9).

Purge the air from the circuit (item 10).

Repeat until all fouling is removed from the filter.

Water flow rate adjustment procedure

Once the circuit is cleaned, read the pressures on the pressure gauges (water inlet and outlet pressure) to determine the pressure drop at the evaporator terminals. Compare the value obtained with the design value predicted by the selection software.

If the pressure drop reading is above the specified value, this indicates that the flow rate at the terminals of the unit (and therefore within the system) is too high. In this case, close the control valve (item 18) and read the new pressure difference. Repeat as necessary, closing the control valve until the specific pressure drop corresponding to the unit's nominal flow rate at the design point is achieved.

Note: If the network has an excessive pressure drop in relation to the available static pressure delivered by the system pump, the nominal water flow cannot be obtained (lower resulting flow) and the difference in temperature between the water inlet and outlet of the evaporator will be increased.

To reduce the system's hydraulic network pressure drop:

- Reduce the pressure drops of individual components (elbows, level changes, options, etc.) as much as possible,
- Use the correct pipe diameter,
- Do not extend the hydraulic systems.

8.7.2 - Units with hydraulic module and variable speed pump – Temperature differential control

The system flow rate is not set at a nominal value.

The flow rate will be adjusted, by varying the pump speed, to maintain a evaporator Delta T value defined by the user.

This is checked by the temperature sensors at the evaporator inlet and outlet (items 7 and 11).

The system reads the measured temperature values, calculates the corresponding Delta T, compares it with the setpoint value set by the user and then modulates the pump speed module.

- This results in an increase in the flow rate if the Delta T exceeds the setpoint.
- This results in a decrease in the flow rate if the Delta T is less than the setpoint.

This modulation is limited only by the maximum and minimum flow rates for the unit and by the maximum and minimum allowable pump speeds.

The resulting Delta T may, in certain cases, differ from the setpoint value:

- If the setpoint value is too high (corresponding to a flow rate lower than the minimum value or a frequency less than the minimum value), the system will be limited to the minimum flow rate or minimum frequency, which will result in a Delta T below the setpoint,
- If the setpoint value is too low (corresponding to a flow rate higher than the maximum value or a frequency greater than the maximum value), the system will be limited to the maximum flow rate or maximum frequency, which will result in a Delta T above the setpoint.

Contact the manufacturer's service department to implement the procedures described below.

Hydraulic circuit cleaning procedure

Before proceeding, it is advisable to remove any possible contamination from the hydraulic circuit.

- Start-up the system pump by using the forced start command.
- Control the frequency to the maximum value to generate the highest possible flow.
- If there is a "Maximum flow exceeded" alarm, reduce the frequency until an acceptable value is reached.
- Read the value of the flow on the user interface.
- Let the pump run for 2 hours continuously to flush the system's hydraulic circuit (presence of contaminating solids).
- Perform another reading of the flow and compare this value with the initial value. A reducing value of the flow indicates that the filters on the system need to be removed and cleaned. In this case, close the shut-off valves on the water inlet and outlet (item 19) and remove the filters (item 1) after draining the hydraulic part of the unit (items 2 and 9).
- Purge the air from the circuit (items 10 and 23).
- Repeat until all fouling is removed from the filter

Procedure for controlling the Delta T setpoint

Once the circuit is cleaned, stop the forced start of the pump and proceed to the configuration of the unit for the required control mode.

Modify the control parameters:

- Water flow rate control method (Delta T)
- Required Delta T value.
- If necessary, the control PID parameters can also be adjusted (refer to the control manual).

8 - WATER CONNECTIONS

8.7.3 - Units with hydraulic module and variable speed pump – Control on constant water outlet pressure

The system flow rate is not set at a nominal value.

It will be adjusted by the system, by varying the pump speed, to maintain a constant pressure value at the unit outlet, defined by the user.

This is checked by the pressure sensor at the hydraulic module outlet (item 12).

The system measures the pressure, compares it with the setpoint value set by the user and then modulates the pump speed module accordingly:

- This results in an increase in the flow rate if the measurement is below the setpoint,
- This results in a decrease in the flow rate if the measurement exceeds the setpoint.

This modulation is limited only by the maximum and minimum flow rates for the unit and by the maximum and minimum allowable pump speeds.

The maintained LWP (Leaving Water Pressure) value may, in certain cases, differ from the setpoint value:

- if the setpoint value is too high (corresponding to a flow rate higher than the maximum value or a frequency greater than the maximum value), the system will be limited to the maximum flow rate or maximum frequency, which will result in a water outlet pressure below the setpoint,
- if the setpoint value is too low (corresponding to a flow rate lower than the minimum value or a frequency less than the minimum value), the system will be limited to the minimum flow rate or minimum frequency, which will result in a water outlet pressure greater than the setpoint.

Contact the manufacturer's service department to implement the procedures described below

Hydraulic circuit cleaning procedure

Refer to the hydraulic circuit cleaning procedure.

Procedure for controlling the water outlet pressure setpoint

Once the circuit is cleaned, place the hydraulic circuit in the configuration for which the unit selection was performed (generally all valves open and all cooling coils active).

Read the value of the flow on the user interface and compare it with the required value:

- If the flow rate read is greater than the specified value, reduce the water outlet pressure setpoint on the user interface to reduce the flow rate value;
- If the value of the flow is lower than the specified value, increase the water outlet pressure setpoint on the user interface to increase the value of the flow.

Repeat until you obtain the flow rate corresponding to the flow rate at the unit's design condition.

Stop the forced operation of the pump and proceed to the configuration of the unit for the required control mode.

Modify the control parameters:

- Water flow rate control method (fixed pressure)
- Required LWP value
- If necessary, the control PID parameters can also be adjusted (refer to the control manual)

NOTE: If, during adjustment, the low or high frequency limits are reached before reaching the specified flow rate, keep the outlet pressure value at its lower or higher limit as the control set point.

8.7.4 - Units with hydraulic module and variable speed pump – Pressure differential control

The system flow rate is not set at a nominal value.

This will be adjusted by the system, by varying the pump speed, to maintain a constant Delta P value defined by the user.

This is checked by the pressure sensors at the hydraulic module inlet and outlet (items 4 and 12).

The system calculates the value for the measured pressure difference, compares it with the setpoint value set by the user and then modulates the pump speed module accordingly.

- This results in an increase in the flow rate if the measurement is below the setpoint,
- This results in a decrease in the flow rate if the measurement exceeds the setpoint.

This modulation is limited only by the maximum and minimum flow rates for the unit and by the maximum and minimum allowable pump speeds.

The maintained Delta P may, in certain cases, differ from the setpoint value:

- If the setpoint value is too high (corresponding to a flow rate higher than the maximum value or a frequency greater than the maximum value), the system will be limited to the maximum flow rate or maximum frequency, which will result in a Delta P below the setpoint.
- If the setpoint value is too low (corresponding to a flow rate lower than the minimum value or a frequency less than the minimum value), the system will be limited to the minimum flow rate or minimum frequency, which will result in a Delta P above the setpoint,

Contact the manufacturer's service department to implement the procedures described below

8 - WATER CONNECTIONS

Hydraulic circuit cleaning procedure

Refer to the hydraulic circuit cleaning procedure.

Procedure for controlling the pressure differential setpoint

Once the circuit is cleaned, place the hydraulic circuit in the configuration for which the unit selection was performed (generally all valves open and all cooling coils active).

Read the value of the flow on the user interface and compare it with the required value:

- If the flow rate read is greater than the specified value, reduce the Delta P setpoint on the user interface to decrease the flow rate value.
- If the flow rate read is less than the specified value, increase the Delta P setpoint on the user interface to increase the flow rate value.

Repeat until you obtain the flow rate corresponding to the flow rate at the unit's design condition.

Stop the forced operation of the pump and proceed to the configuration of the unit for the required control mode.

Modify the control parameters:

- Water flow rate control method (Delta P),
- Required Delta P set point.
- If necessary, the control PID parameters can also be adjusted (refer to the control manual).

NOTE: If, during adjustment, the low or high frequency limits are reached before reaching the specified flow rate, keep the pressure differential value at its lower or higher limit as the control set point.

If the user knows in advance the pressure differential value at the unit outlet, this value can be entered directly. However, the hydraulic circuit cleaning sequence must not be omitted.

8.7.5 - Units with hydraulic module and variable speed pump – Setting a fixed flow rate for the system

The flow will be set to a nominal value. This value will remain constant and will not be dependent on variations in the system's load.

Contact the manufacturer's service department to implement the procedures described below.

Hydraulic circuit cleaning procedure

Refer to the hydraulic circuit cleaning procedure.

Procedure for controlling the flow rate

Once the circuit has been cleaned, set the required water flow rate by adjusting the pump frequency on the user interface.

Stop the forced operation of the pump and proceed to the configuration of the unit for the required control mode.

Modify the control parameters:

- Water flow rate control method (fixed speed),
- Constant frequency value.

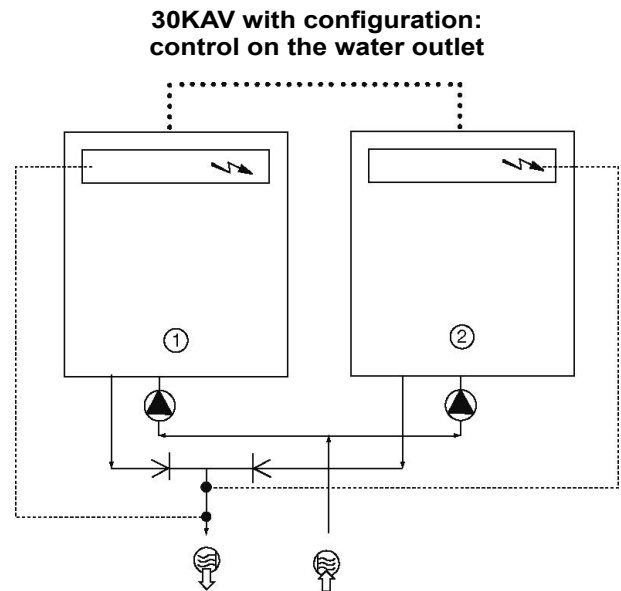
8.8 - Operation of two units as a master/slave pair (option 58)

The master-slave pair is controlled on the water inlet without any additional sensors being added (standard configuration). It is also possible to control on the water outlet by adding two additional sensors in the common supply pipe work.

All the parameters required for the master/slave function must be configured using the MST_SLV configuration menu. All remote controls of the Master/Slave pair (start/stop, setpoint, load shedding, etc.) are managed by the unit configured as the master and must only be applied to the master unit.

Each unit controls its own water pump. If there is only one common pump, in cases with a variable flow, isolation valves must be installed on each unit. These should be controlled (opened and closed) using the controls for the relevant unit (in this case, valves will be controlled using the dedicated water pump outputs). Refer to the Touch Pilot control manual for a more detailed explanation.

WARNING: To permit Master/Slave operation both units must be equipped with option 58.



Key

- ① Master unit
- ② Slave unit
- ⚡ Control panels for Master and Slave units
- ⊡ Water inlet
- ⊡ Water outlet
- ⊡ Water pumps for each unit (included as standard in units with hydraulic module)
- Additional sensors for the control of the leaving water temperature to be connected on channel 1 of the slave boards of both Master and Slave unit
- Communication bus CCM
- Connection of two additional sensors

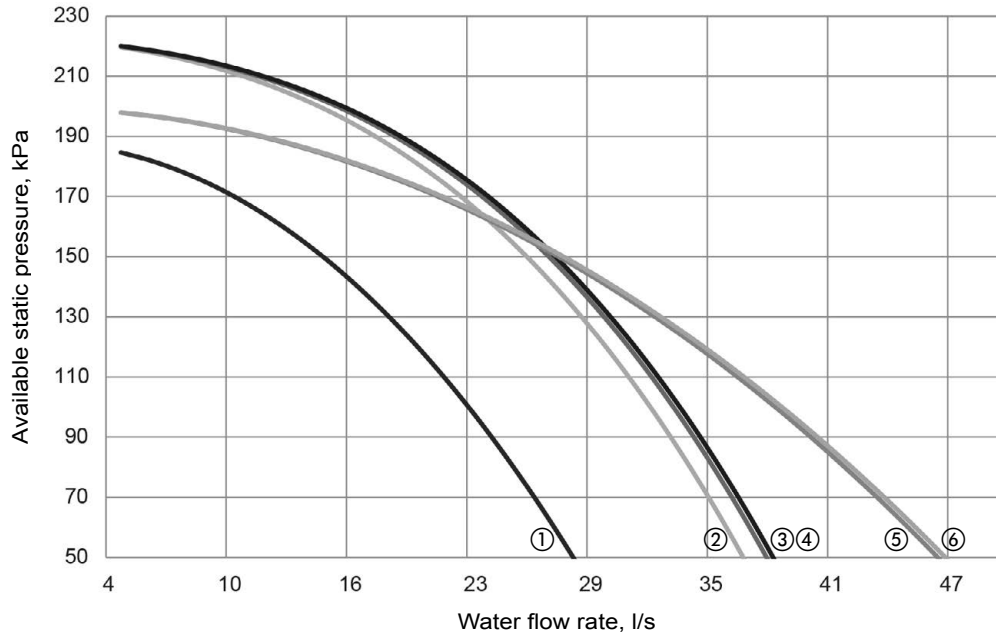
9 - UNIT WITH HYDRAULIC KIT

9.1 - Available static pressure for the system

Data applicable for:

- Fresh water 20 °C.
- Variable speed pump at 50 Hz.
- Refer to the paragraph on "Water exchanger min. water volume and flow rate" for the maximum water flow rate values.
- If ethylene glycol is used, the maximum flow rate is reduced.
- For an ambient temperature over 40°C, the maximum water flow rate is limited.

Low pressure variable speed dual pumps at 50Hz (116A)

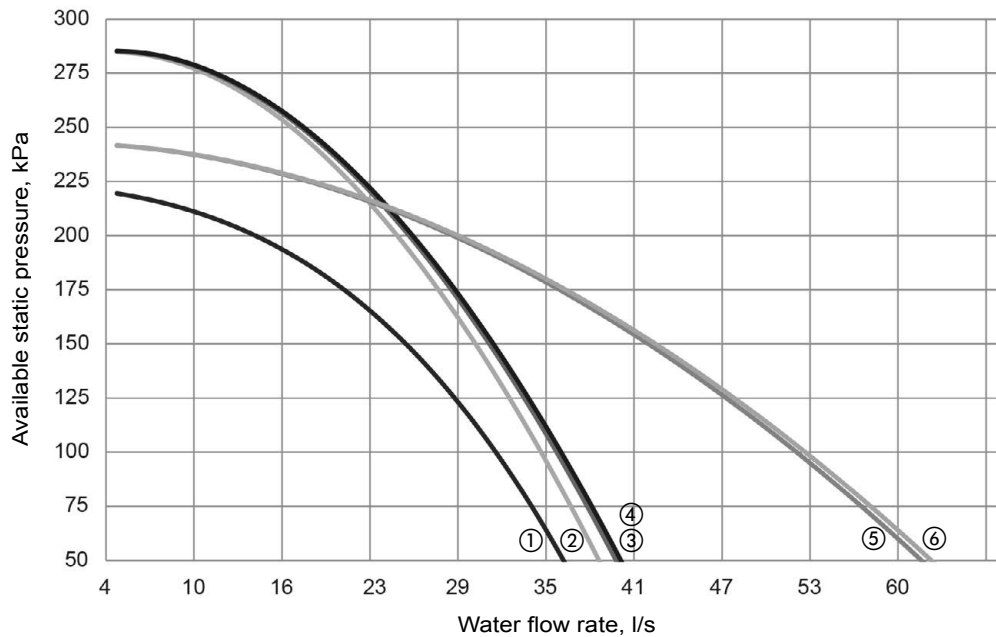


① 30KAV500
② 30KAV550

③ 30KAV600
④ 30KAV650

⑤ 30KAV720
⑥ 30KAV800

High pressure variable speed dual pumps at 50Hz (116W)



① 30KAV500
② 30KAV550

③ 30KAV600
④ 30KAV650

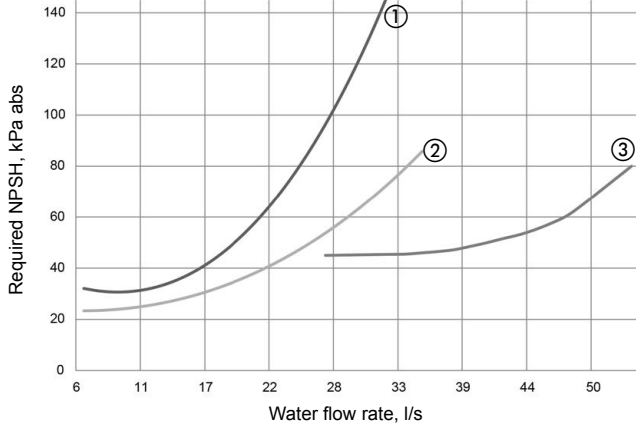
⑤ 30KAV720
⑥ 30KAV800

9 - UNIT WITH HYDRAULIC KIT

9.2 - Required NPSH (Net Positive Suction Head); Hydraulic module option

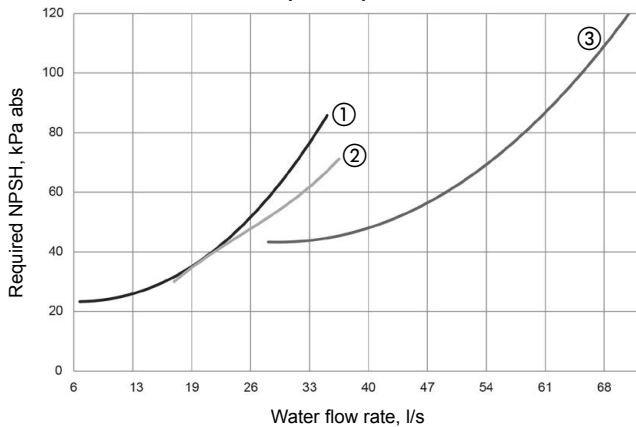
The hydraulic circuit must be designed to ensure that the NPSH (Net Positive Suction Head) is greater than or equal to the required NPSH + 50 kPa.

Low pressure variable speed dual pumps at 50Hz (116A)



- ① 30KAV500
- ② 30KAV550-600-650
- ③ 30KAV720-800

High pressure variable speed dual pumps at 50Hz (116W)



- ① 30KAV500
- ② 30KAV550-600-650
- ③ 30KAV720-800

9.3 - Flow rate calculation

Units equipped with the hydraulic module enable the flow rate to be monitored directly via the unit's user interface (see the control manual).

The pressure of the fluid is measured by the pressure sensors at the inlet of the pump and outlet of the unit. The system calculates the flow rate corresponding to measured differential pressure.

The calculations are only applicable for cold water. For a brine solution (e.g.: glycol) other than cold water, the calculated flow rate will not be accurate.

These values are given as a guide for the user and may vary depending on fouling of the hydraulic circuit and correct operation of the pump. The manufacturer cannot be held liable for the accuracy of this information.

10 - SYSTEM START-UP

10.1 - Checks before system start-up

Before commissioning the chiller the complete system must be verified against the installation drawings, dimensional drawings, system piping and instrumentation diagrams and the wiring schematics. All measures must be taken to ensure that the pressure and temperature limits, specifically those listed on the unit nameplates, are not exceeded during operation, maintenance and recycling. Heat exchange fluid temperatures above the maximum recommended can lead to an increase in the refrigerant pressure and can cause a loss of refrigerant due to the relief valve discharge. National regulations must be followed during these checks. If the national regulation does not specify any details, refer to standard EN 378 as follows:

External visual checks of the installation:

- Ensure that the machine is charged with refrigerant. Verify on the unit nameplate that the 'fluid transported' is that recommended for operation, and is not nitrogen.
- Compare the complete system with the refrigeration system and power circuit diagrams.
- Check that all documents provided by the manufacturer (dimensional drawings, piping and instrument diagram (PID), declarations, etc.) necessary to comply with the regulations are present. If any documentation is missing, order a replacement.
- Verify that the environmental protection and safety devices and arrangements provided by the manufacturer to comply with the regulations are in place and compliant.
- Check that all declarations of conformity for the pressure vessels, identification plates, and documentation required to comply with local regulations are present.
- Verify that access and safety routes are unobstructed.
- Comply with the instructions and directives to prevent the deliberate release of refrigerant fluids.
- Verify the installation of connections.
- Verify the supports and fixing elements (materials, routing and connection).
- Verify the quality of welds and other joints.
- Check the protection against mechanical damage.
- Check the protection against heat.
- Check the protection of moving parts.
- Verify the accessibility for maintenance or repair and to check the piping.
- Verify the status of the valves.
- Verify the quality of the thermal insulation.
- Check the condition of 400 V cable insulation.

IMPORTANT: If the compressors are equipped with anti-vibration mounts, check whether these mounts have clamping mechanisms. If they do, the clamping mechanisms must be removed before system start-up. Clamping mechanisms are identified by red collars and by a label affixed to the compressor sub-assembly.

10.2 - Start-up

Always ensure you have read and fully understood the operating instructions for the units before starting up the unit, and ensure the following precautions have been taken:

- Check the heat transfer fluid circulation pumps, the air handling equipment, and any other equipment connected to the system.
- Refer to these instructions.
- Refer to the electrical diagram delivered with the unit.
- Ensure that there is no refrigerant leak.
- Check that all clamps securing the pipes are correctly tightened.
- Check the power supply at the main connection point and the order of phases.
- Open the suction shut-off valves on each circuit for the corresponding machines.
- For units without the factory-fitted hydraulic module option, the installer is responsible for insulation and frost protection and the connections relating to the system pump.
- Check the operation of the oil heaters (present on the oil separator) 24 hours before starting up the system.

IMPORTANT: Commissioning and start-up must be supervised by a qualified engineer.

- The system must have a heat load and water flowing in the exchangers when it is started up and tested.
- All setpoint adjustments and control tests must be carried out before the unit is started up.
- Refer to the Service guide.

Proceed with the unit commissioning.

Make sure all safety devices are operational, and especially that the high pressure switches are engaged and that any alarms have been cleared.

NOTE: If the manufacturer's recommendations (system, water and power connections) are not observed, no claims made under the warranty will be accepted.

10 - SYSTEM START-UP

10.3 - Essential points to check

10.3.1 - Compressors

Ensure that each compressor is rotating in the correct direction, by checking that the discharge temperature rises quickly, the HP increases and the LP drops. If it is rotating in the wrong direction, the electric power supply is incorrectly wired (reversed phases). To ensure rotation in the correct direction, swap two power supply phases.

- Check the compressor discharge temperature with a contact sensor
- Check that the input current is within normal limits
- Check all safety devices to make sure they operate correctly

10.3.2 - Hydraulic

As the exact total system pressure drop is not known at commissioning, adjust the flow of water with the control valve until the desired nominal rate is obtained.

By modifying the pressure drop in the hydraulic network, the control valve aligns the system pressure/flow curve with that of the pump so that the nominal flow rate corresponding to the desired operating point is obtained. The pressure drop in the water exchanger (read using the pressure gauge placed on the exchanger inlet and outlet) is the reference to be used to check and adjust the nominal flow rate of the system.

Follow the procedure described below:

- Open the control valve completely
- Let the pump run for two hours to flush out any solid particles in the circuit
- Read the pressure drop in the water exchanger when the pump is turned on and then two hours afterwards
- If the pressure drop has decreased, this means that the screen filter is clogged. It must be removed and cleaned
- Repeat until the filter is completely clean
- If the system pressure drops are above the available static pressure delivered by the pump, the resulting water flow rate will be low and the difference in temperature between the exchanger inlet and outlet will be too high. This is why pressure drops must be minimised. Check that the flow rate is within the values on the curve (refer to section "Water exchanger min. water volume and flow rate")

10.3.3 - Refrigerant charge

Each unit is shipped with an exact charge of refrigerant (see the table of physical properties).

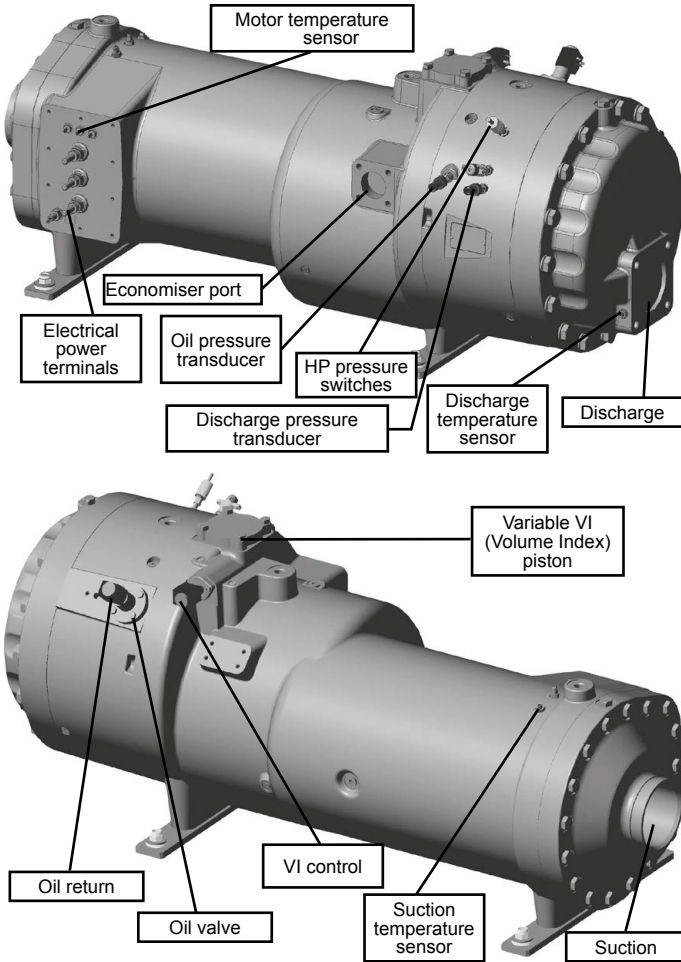
10.3.4 - Ventilation for electrical cabinets

Check that the air flows from the cooling fans are directed from the outside of the cabinets to the inside (ensuring fresh air is drawn towards the inside).

11 - MAJOR SYSTEM COMPONENTS AND OPERATION DATA

11.1 - Compressors

30KAV units use 06Z geared twin-screw compressors with a variable speed drive.



11.2 - Oil filter

The 06Z screw compressor has an independent oil filter mounted on to the oil separator. This filter is field replaceable.

11.3 - Refrigerant

The 30KAV is a water chiller which operates with R134a only.

11.4 - Lubricant

The 06Z screw compressor is approved for use with the following lubricants:

Castrol Icematic SW220 = Lubrizol Emkarate RL 220H Plus (Carrier material specification PP 47-32).

Lubrizol Emkarate RL 220H (Carrier material specification PP 47-13).

CAUTION: Too much oil in the circuit can cause the unit to malfunction.

11.6 - Oil supply solenoid valve

An oil supply solenoid valve is installed on the oil return line as standard to isolate the compressor from oil flow when the compressor is not operating. The oil solenoid valve is field replaceable.

11.6 - Economiser and suction filters

To improve the reliability of the compressor, filters are fitted on the compressor suction connection and economiser port, as standard.

11.7 - Pressure vessels

11.7.1 - General information

Monitoring during operation, re-qualification, re-testing, exemption from retesting:

- Follow the regulations on monitoring pressure equipment. The user or operator is usually required to create and maintain a monitoring and maintenance log.
- In the absence of any regulations, or in addition to the regulations, follow the guidance in EN 378.
- Follow the local professional recommendations, whenever they exist.
- Regularly inspect the condition of the coating (paint) to detect blistering resulting from corrosion. To do this, check an uninsulated part of the vessel, or for rust drips at a joint in the insulation.
- Regularly check for the presence of any impurities (e.g. sand, grit) in the heat transfer fluids. These impurities can cause wear and/or pitting corrosion.
- Filter the heat-transfer medium and carry out internal inspections as described in EN 378-2 Appendix C.
- In case of re-testing, please refer to the maximum differential pressure given on the unit nameplate.
- The reports of the periodic checks by the user or the operator must be included in the monitoring and maintenance register.

11.7.2 - Repairs

Any repair or modification, including replacement of removable parts:

- Must comply with local regulations and must be performed by qualified operators in accordance with qualified processes, including changing a wiring harness conductor,
- Must be approved by the original manufacturer. Repairs and modifications which involve a permanent assembly (welding, soldering, expansion of tubes, etc.) must be performed by qualified operators following the operating procedures,
- All modifications and repairs must be listed in the monitoring and maintenance register.

11 - MAJOR SYSTEM COMPONENTS AND OPERATION DATA

11.7.3 - Recycling

The device is wholly or partly recyclable. After use, it contains refrigerant vapours and oil residue. It is coated in paint.

11.7.4 - Operating life

During their service life, the evaporator and oil separator are designed to withstand the following:

- Either prolonged storage of 15 years protected by nitrogen with a temperature variation of 20° per day.
- Or 452,000 cycles (start-ups) with a maximum difference of 6° between 2 neighbouring points in the vessel, based on 6 start-ups per hour over 15 years at a usage rate of 75%.

11.7.5 - Corrosion build-up

Gas side: 0 mm

Heat-transfer medium side: 1 mm for tube sheets in lightly alloyed steels, 0 mm for stainless steel plates or plates with copper-nickel or stainless steel protection.

11.7.6 - Evaporator

30KAV chillers use flooded shell-and-tube evaporator, the water (heat-transfer medium) circulates in the tubes and the refrigerant is inside the shell. A single shell is used to serve both refrigerant circuits. There is a centre tubular plate which separates the two refrigerant circuits. The tubes are copper, and 3/4" in diameter, with a finned surface inside and out. There is just one water circuit with two water passes.

The evaporator has been tested and stamped in accordance with the applicable pressure code. The maximum standard operating pressures are 2100 kPa relative for the refrigerant side and 1000 kPa relative for the water-side. These pressures may differ according to the regulation and the code applied.

The evaporator has thermal insulation formed of 19 mm thick polyurethane foam and aluminium cladding (optional), and is equipped with a water drain plug and a vent.

The heat exchanger water connections are Victaulic type connections. As an option, the evaporator is equipped with frost protection ("evaporator frost protection" option).

Products used for the thermal insulation of components during hydraulic connection must have a chemically neutral effect on the surfaces to which they are applied. All original materials supplied by Carrier comply with this requirement.

11.7.7 - Oil separator

On these units, the oil separator is a pressure vessel which is mounted underneath the condenser coils, at the compressor discharge. The gas discharged at the compressor outlet is directed to the oil separator and most of the oil is separated from the gas by a process of rapid deceleration and gravity. The gas is then directed to a mesh filter where the remaining oil is separated by coalescence, and flows to the bottom of the vessel. The oil-free gas exits via the top of the vessel towards the condenser.

The oil separator is equipped with a heater cable managed by the control system. The oil separator also has a built-in silencer.

11.7.8 - Assembly function

The economiser function includes a liquid valve, a filter drier, two electronic expansion valves (EXVs), a plate heat exchanger, and protection devices (fusible plug or valve).

At the condenser outlet, some of the liquid is expanded via the secondary EXV in one of the plate heat exchanger circuits and then is returned to the compressor economiser as a gas. This expansion provides an increase in the liquid subcooling of the rest of the refrigerant entering the evaporator via the principal EXV. This enables the system's cooling capacity and efficiency to be improved.

11.8 - High-pressure safety switch

30KAV units are equipped with high pressure safety switches on the HP side.

In accordance with the applicable code the high pressure switches with manual reset, called PZH (previously DBK), may be backed up by high pressure switches that require resetting with a tool. The high pressure switches that require resetting with a tool are called PZHH (previously SDBK). If a PZHH is triggered, the corresponding PZH in the same compressor is faulty and must be replaced. The PZHH must be reset with a blunt tool with a diameter of less than 6 mm. Insert this tool into the single opening on the pressure switch and push the reset button located inside.

These pressure switches are located at the discharge of each compressor.

11.9 - Condensers

The coils in 30KAV units are micro-channel condensers made entirely of aluminium.

11 - MAJOR SYSTEM COMPONENTS AND OPERATION DATA

11.10 - Fans

The fan motors are axial Flying Bird fans equipped with a rotating shroud and made of composite recyclable material. Each motor is fixed with transverse supports.

All the fans in the same refrigerating circuit run together at the same rotation speed. The fan speed is controlled by an algorithm that continuously optimises the condensing temperature to obtain the best energy efficiency (EER) for the units, whatever the operating conditions.

11.10.1 AC motors

The standard units are equipped with AC motors, controlled by one or more variable speed drives. The motors are three-phase, with lifetime lubricated bearings and class F insulation (IP55 level).

In case of a locked rotor or an overload, the motors of each circuit are electrically protected by the circuit's variable drives. Each variable drive follows an overcurrent curve, which varies according to the frequency from 5 to 50 Hz and the number of fans controlled.

If a fan fails to operate (in open circuit), the lack of current is detected, generating an alert on the user interface. Refer to the control manual for the description of alarms specific to this option.

11.10.2 EC motors

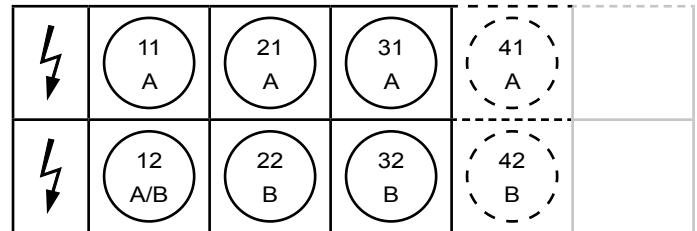
For units with options 17 or 119+, the fans are driven by EC motors (electronically commutated motor). These are motors with permanent magnets, equipped with their own embedded electronics which enables the speed to be varied and also provides protection.

These motors are more efficient than asynchronous motors.

The speed is controlled by analogue voltage in the range 0-10Vdc. The motors for each refrigerating circuit are controlled by the same 0-10 Vdc control signal. They are supplied with a three-phase 400V AC power supply, and the order of phases has no impact on the direction of rotation, as this is factory-set.

11.10.3 Distribution of fans within the machine

The distribution of fans for the refrigerating circuits and their description is given below (simplified representation on the machine seen from above):



Warning: the fan listed as 12 may be allocated to circuit A or to circuit B, depending on the machine. It may be powered by the variable drives from one or other of these circuits: refer to the wiring diagram for the unit.

According to the Regulation No. 327/2011 implementing Directive 2009/125/EC with regard to ecodesign requirements for fans driven by motors with an electric input power between 125 W and 500 kW.

30KAV		Standard	Options 17 / 119+
Overall efficiency	%	40,1	47,3
Measurement category		A	A
Efficiency category		static	static
Target efficiency level ERP2015		N(2015) 40	N(2015) 40
Efficiency level at the optimum efficiency point		44,6	52,2
Speed regulator		YES	YES (built-in)
Year of manufacture		See label on the unit	See label on unit
Fan manufacturer		Simonin	Simonin
Motor manufacturer		Leroy Somer	EBM PAPST
Fan Part Number		00PSG002630700A	00PSG002630700A
Motor Part Number		00PPG000494700A	00PSG002696800A
Nominal motor power	kW	1,96	1,68
Flow rate	m ³ /s	4,22	4,24
Pressure at optimum energy efficiency	Pa	174,2	174,6
Nominal Speed	rpm	948	959
Specific ratio		1,002	1,002
Relevant information to facilitate the disassembly, recycling or removal of the product at the end of life		See the Maintenance manual	See the Maintenance manual
Relevant information to minimise the impact on the environment		See the Maintenance manual	See the Maintenance manual

11 - MAJOR SYSTEM COMPONENTS AND OPERATION DATA

According to regulation No. 640/2009 and amendment 4/2014 implementing directive 2009/125/EC with regard to ecodesign requirements for electric motors.

30KAV		Standard	Options 17 / 119+
Motor type		Asynchronous	EC motor
Number of poles		6	6
Nominal input frequency	Hz	50	50/60
Nominal voltage	V	400	380/480
Number of phases		3	3
Motor included in the application domain of the regulation 640/2009 and amendment 4/2014		NO	NO
Sales leaflet for exemption		Article 2.1	Article 2.1
Ambient air temperature for which the motor is specifically designed	°C	70	70

11.11 - Electronic expansion valve (EXV)

The EXV is equipped with a stepper motor (2785 to 3690 steps, depending on the model) that is controlled via an electronic circuit board.

The EXV is also equipped with a sightglass that permits verification of the mechanism movement and the presence of the liquid seal.

11.12 - Moisture indicator

Located on the EXV, this enables the unit charge to be controlled and indicates moisture in the circuit.

The presence of bubbles in the sight-glass indicates an insufficient charge or non-condensables in the system.

The presence of moisture changes the colour of the indicator paper in the sight-glass.

11.13 - Filter drier

The role of the filter drier is to keep the circuit clean and moisture-free. The moisture indicator shows, when it is necessary to change the element. A difference in temperature between the filter inlet and outlet shows that the element is dirty.

11.14 - Sensors

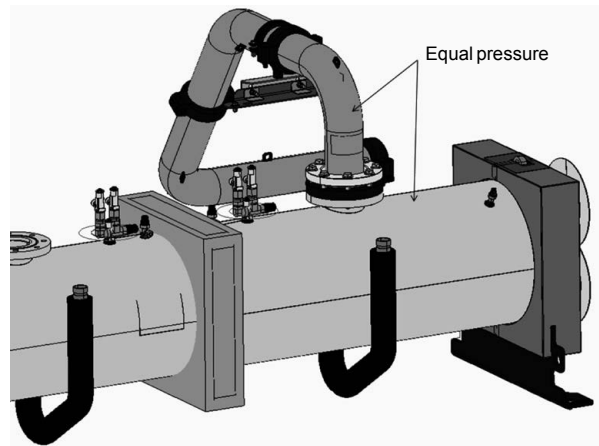
The unit uses thermistors to measure temperature, and pressure transducers to monitor and control the operation of the system. Refer to the Touch Pilot control manual for a more detailed explanation.

11.15 - Service valves (option 92)

The unit can be equipped with optional service valves to facilitate maintenance and repair operations.

If option 92 is ordered, each refrigerating circuit will be equipped with isolation valves on the economiser line, and at the compressor discharge and suction.

WARNING: the valve at the compressor suction only be operated when there is no differential pressure across it. Operating the valve when there is a pressure differential may compromise the valve's sealing or even result in failure.



11.16 - Variable speed drive

30KAV units are equipped with variable speed drives for the compressor, for the fans and for the water pumps (if fitted). The variable speed drives are integrated into the electrical cabinets. If the fan motors are electronically commutated motors (optional EC motors), there is no corresponding variable speed drive in the electrical cabinet.

The variable speed drive enables the speed of the motors to be selected by adjusting the voltage and frequency by modulating the pulse width (PWM).

The frequency setpoint on the operating range and the status feedback for the variable drives is transmitted by communication via the internal RS485 Bus using the LEN Protocol by the "Carrier controller".

For the compressors, the variable-speed drive provides the unit shut down function via the pressostats cabled to the regulator's digital inputs.

11 - MAJOR SYSTEM COMPONENTS AND OPERATION DATA

11.17 - Cabinets for the electrical equipment

The machines are equipped as standard with two cabinets for the electrical equipment:

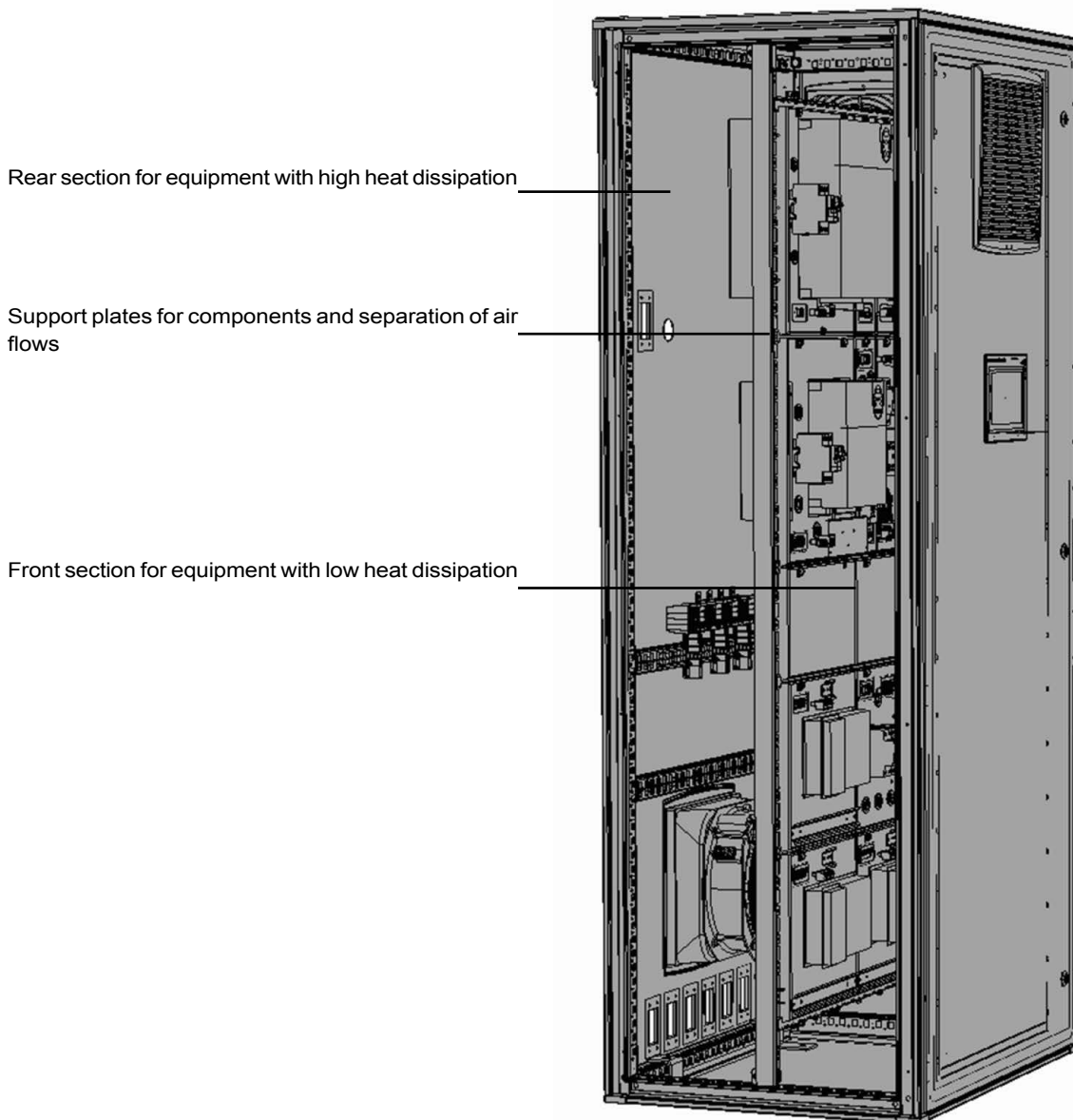
A power cabinet for the incoming power supply and the compressor variable-speed drives.

A control cabinet for the control system elements and the variable-speed drives and power circuits for the condenser fans and the water pumps.

In the control cabinet, the components are mounted on a mounting plate which ensures the flow of cooling air from the heat-dissipating elements is contained in the area to rear of the cabinet. This design means that the mounting plate or the casing panel must be removed to access the equipment which is located in the back of the panel: transformers, power distribution connections and cooling fans; refer to the wiring diagram for the unit.

The mounting plate and the casing panel are designed to be easily removed for servicing operations (see also chapter 13 of this document).

Overall view of the control cabinet with the casing panel removed:



12 - OPTIONS

Options	No.	Description	Advantages	Use
Low noise level	15	Sound absorbing & aesthetic compressor enclosure and oil separator acoustic treatment	Noise level reduction by 1 to 2 dB(A)	30KAV 500-1100
Very low noise level	15LS	Sound absorbing & aesthetic compressor enclosure and oil separator, evaporator and suction line acoustic treatment, combined with low-speed fans	Noise level reduction for sensitive sites	30KAV 500-1100
High ambient temperature	16	Electrical components sized for part load operation up to 55°C air ambient	Extended unit part-load operation up to 55°C ambient temperature	30KAV 500-1100
EC fans	17	Unit equipped with EC fans	Enhances the unit energy efficiency	30KAV 500-1100
IP54 control box	20A	Increased leak tightness of the unit	Protects the inside of the electrical box from dust, water and sand. As a rule, this option is recommended for installations in polluted environments	30KAV 500-1100
Grilles and enclosure panels	23	Metallic protection grilles and side enclosure panels	Improves aesthetics, protection against intrusion to the unit interior, coil and piping protection against impacts.	30KAV 500-1100
Enclosure panels	23A	Side enclosure panels	Improves aesthetics and piping protection against impacts.	30KAV 500-1100
Water exchanger frost protection	41A	Electric resistance heater on the water exchanger and discharge valve	water exchanger frost protection down to -20°C outside temperature	30KAV 500-1100
Evaporator and hydraulic module frost protection	41B	Electric resistance heater on water exchanger, discharge valve and hydraulic module	Water exchanger and hydraulic module frost protection down to -20°C outside temperature	30KAV 500-800
Master/slave operation	58	Unit equipped with supplementary water outlet temperature sensor kit to be field-installed allowing master/slave operation of two units connected in parallel	Optimised operation of two units connected in parallel operation with operating time equalisation	30KAV 500-1100
Main disconnect switch with short-circuit protection	70D	Replacement of the factory-installed main disconnect switch by a circuit breaker equipped with an external disconnect switch handle	Ensure protection of main disconnect switch and associated cables against short-circuits when building devices are not compliant	30KAV 500-1100
Evap. and pumps with aluminium jacket	88A	Evaporator and pumps covered with an aluminium sheet for thermal insulation protection	Improved resistance to aggressive climate conditions	30KAV 500-800
Service valve set	92	Liquid line valve (evaporator inlet), compressor suction and discharge line valves and economiser line valve	Allow isolation of various refrigerant circuit components for simplified service and maintenance	30KAV 500-1100
Compressor discharge valves	93A	Shut-off valve on the compressor discharge piping	Simplified maintenance	30KAV 500-1100
21 bar evaporator	104	Reinforced evaporator for extension of the maximum water-side service pressure to 21 bar (standard 10 bar)	Covers applications with a high water column evaporator side (typically high-rise buildings)	30KAV 500-1100
LP VSD dual-pump hydraulic mod.	116A	Dual low-pressure water pump with variable speed drive (VSD), pressure transducers. Multiple possibilities of water flow control. For more information, refer to the dedicated chapter.	Easy and fast installation (plug & play), significant pumping energy cost savings (typically 60%), tighter water flow control, improved system reliability	30KAV 500-800
HP VSD dual-pump hydraulic mod.	116W	Dual high-pressure water pump with variable speed drive (VSD), pressure transducers. Multiple possibilities of water flow control. For more information, refer to the dedicated chapter.	Easy and fast installation (plug & play), significant pumping energy cost savings (typically 60%), tighter water flow control, improved system reliability	30KAV 500-800
High energy efficiency	119	Additional condenser coil to improve unit energy efficiency	Enhances the unit energy efficiency	30KAV 500-1100
High energy efficiency +	119+	Additional condenser coil plus EC fans to improve unit energy efficiency	Enhances the unit energy efficiency	30KAV 500-1100
J-Bus gateway	148B	Bi-directional communication board complying with JBus protocol	Connects the unit by communication bus to a building management system	30KAV 500-1100
Lon gateway	148D	Bi-directional communication board complying with Lon Talk protocol	Connects the unit by communication bus to a building management system	30KAV 500-1100
Bacnet over IP	149	Bi-directional high-speed communication using BACnet protocol over Ethernet network (IP)	Easy and high-speed connection by ethernet line to a building management system. Allows access to multiple unit parameters	30KAV 500-1100
Energy Management Module	156	EMM Control board with additional inputs/outputs. See Energy Management Module option chapter	Extended remote control capabilities (Set-point reset, ice storage end, demand limits, boiler on/off command...)	30KAV 500-1100
Refrigerant leak detection	159	One refrigerant leak detector per circuit	Shut down the circuit affected by a refrigerant leak	30KAV 500-1100
Dual relief valves on 3-way valve	194	Three-way valve upstream of the relief valves on the evaporator and the oil separator	Valve replacement and inspection facilitated without refrigerant loss. Comforms to European standard EN378/BGVD4	30KAV 500-1100
Conformance with Swiss regulations	197	Additional tests on the water heat exchangers: supply supplementary certificates and test certifications	Conformance with Swiss regulations	30KAV 500-1100
Compliance with Russian regulations	199	EAC certification	Conformance with Russian regulations	30KAV 500-1100
Compliance with Australian regulations	200	Unit approved to Australian code	Conformance with Australian regulations	30KAV 500-1100

12 - OPTIONS

Options	No.	Description	Advantages	Use
Insulation of the evap. in/out ref. lines	256	Thermal insulation of the evaporator entering/ leaving refrigerant lines with flexible, UV resistant insulation	Prevents condensation on the evaporator entering/ leaving refrigerant lines	30KAV 500-1100
Enviro-Shield anti-corrosion protection	262	Coating by conversion process which modifies the surface of the aluminum producing a coating that is integral to the coil. Complete immersion in a bath to ensure 100% coverage. No heat transfer variation, tested 4000 hours salt spray per ASTM B117	Improved corrosion resistance, recommended for use in moderately corrosive environments	30KAV 500-1100
Super Enviro-Shield anti-corrosion protection	263	Extremely durable and flexible epoxy polymer coating applied on micro channel heat exchangers by electro coating process, final UV protective topcoat. Minimal heat transfer variation, tested 6000 hours constant neutral salt spray per ASTM B117, superior impact resistance per ASTM D2794	Improved corrosion resistance, recommended for use in extremely corrosive environments	30KAV 500-1100
Kit of evaporator sleeves for welding	266	Victaulic piping connections with welded joints	Easy installation	30KAV 500-1100
Evaporator with aluminium jacket	281	Evaporator covered with an aluminium jacket for thermal insulation protection	Improved resistance to aggressive climate conditions	30KAV 500-1100
EMC class. C2, as per EN 61800-3	282	Additional RFI filters on the unit power line	Reduces electromagnetic interferences. Increase the variable frequency drive (VFD) immunity level according to first environment (so called, residential environment) requirements and allow its compliance with emissions level required in category C2	30KAV 500-1100
230V electrical plug	284	230V AC power source with plug socket and transformer (180 VA, 0.8 A)	Permits connection of a laptop or an electrical device during unit commissioning or servicing	30KAV 500-1100
Expansion tank	293	6 bar expansion tank integrated in the hydraulic module (require option 116)	Easy and fast installation (plug & play), & Protection of closed water systems from excessive pressure	30KAV 500-800
Carrier Connect link (only European distributor company)	298	3G router board NOTE 1: requires option 149 NOTE 2: when several machines are installed on site, only one of them shall be equipped with option 298 while all of them must be equipped with option 149 NOTE 3: if the Carrier® PlantCTRL™ is on site, option 298 shall be integrated in the Carrier® PlantCTRL™ while option 149 is still mandatory for each single unit.	Enabler for Carrier Connect service offer	30KAV 500-1100
Variable Water Flow control	299	The hydraulic control function that permits control of the water flow rate based on different possible logics ((at customer choice): constant ΔT, constant outlet pressure and "fixed-speed" control)	With variable-speed pumps on the primary circuit, the VWF control modulates flow rate through the evaporator, minimising pump consumption while ensuring safe/optimised chiller operation	30KAV 500-1100
Compliance with UAE regulation	318	Additional label on the unit with rated power input, rated current and EER following AHRI 550/590	Compliance with ESMA standard UAE 5010-5 :2014.	30KAV 500-1100
Compliance with Qatar regulation	319	Specific nameplate on the unit with power supply 415 V±/-6%	Compliance with KAHRAMAA regulation in Qatar.	30KAV 500-1100

13 - STANDARD MAINTENANCE

To ensure optimal efficiency and reliability of the units, we recommend establishing a maintenance contract with your local Carrier Service organisation. This contract will include regular inspections by Carrier Service specialists so that any malfunction is detected and corrected quickly, ensuring that no serious damage can occur.

A Carrier Service maintenance contract is the best way to ensure the maximum operating life for your equipment and, through the expertise of Carrier technicians, provides the ideal way to manage your system cost effectively.

Refrigeration equipment must be maintained by professional technicians, whilst routine checks can be carried out locally by specialist technicians (refer to the standard EN 378-4).

All refrigerant charging, removal and draining operations must be carried out by a qualified technician and with the correct equipment for the unit. Any inappropriate handling can lead to uncontrolled fluid or pressure leaks.

IMPORTANT: Before performing any work on the machine ensure it is deenergized. If a refrigerant circuit is opened, it must be evacuated, recharged and tested for leaks. Before any operation on the refrigerant circuit, it is necessary to remove the complete refrigerant charge from the unit with a refrigerant charge transfer unit.

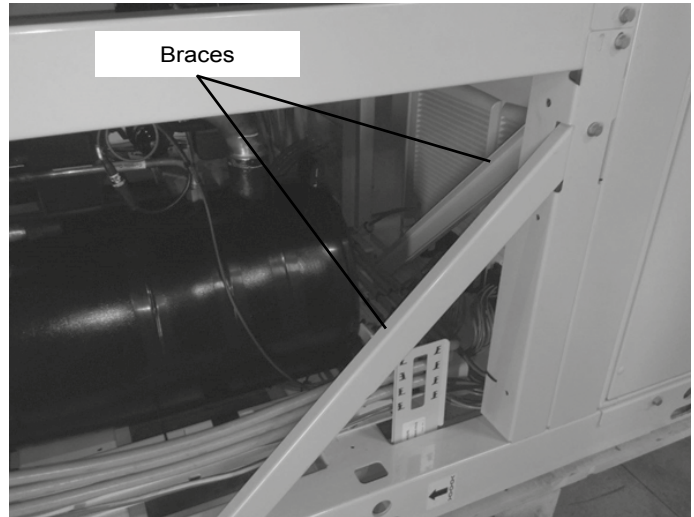
Simple preventive maintenance will allow you to get the best performance from your HVAC unit:

- Improved refrigerating performance,
- Reduced power consumption,
- Prevention of accidental component failure,
- Prevention of major time-consuming and costly interventions,
- Protection of the environment.

There are five maintenance levels for refrigeration units, as defined by the AFNOR X60-010 standard.

NOTE: Any deviation from or failure to observe these maintenance criteria will render the guarantee conditions for the refrigeration unit null and void, and will release the manufacturer, Carrier SCS, from its liability.

The braces located at the back of the electrical cabinets (see photo below) are provided to reinforce the machine structure when being transported. Once the unit has been installed in its operating location, they can be removed to facilitate any maintenance operations which need to be performed in this area.



13.1 - Level 1 maintenance

See Note above.

These simple procedures can be carried out by the user:

- Visual inspection for oil traces (sign of a refrigerant leak).
- Check for detached protective devices, and improperly closed doors / covers.
- If the unit does not operate, check its alarm report (see the report in the Touch Pilot control manual).
- Check the filter fouling level at the air vents in the electrical box.
- Check the fouling level at the exhaust air openings on the top of the power cabinet (fouling, snow, sand, etc.).
- Check for any general visible signs of deterioration.

13.2 - Level 2 maintenance

See Note above.

This level requires specific expertise in electrical, hydraulic and mechanical systems. It is possible that this expertise may be available locally; there may be a maintenance service, industrial site or specialist subcontractor in the area.

In these cases, the following maintenance operations are recommended:

Carry out all level 1 operations, then:

- At least once a year, tighten the electrical connections for the power supply circuits (see tightening torques table)
- Check and tighten all control connections, as required.
- Check that the differential circuit breakers are operating correctly every 6 months (if present).
- Remove the dust and clean the interior of the electrical boxes, as necessary. Check the condition of the filters.
- Check that the electrical protective devices are present and in good condition.
- Replace the fuses every 3 years or every 15000 hours (ageing).
- Replace the electrical box cooling fans every 5 years.
- Check the height of the anti-vibration mounts (located between the feet of the oil separator and the support rails) after 5 years of use, and each year thereafter. Once the total minimum height of the mount is less than 25 mm, the mounts will need replacing.

13 - STANDARD MAINTENANCE

Hydraulics:

- When working on the hydraulic circuit, take care not to damage the adjacent air heat exchanger,
- Check the water connections,
- Check the condition of the expansion tank (presence of corrosion or loss of gas pressure) and replace it if required,
- Drain the water circuit (see chapter "Water flow control procedure"),
- Clean the water filter (see chapter "Water flow rate control procedure"),
- Replace the packing around the pump body after 20,000 hours of operation and the bearings after 20,000 hours,
- Check the operation of the flow switch,
- Check the condition of pipe thermal insulation,
- Check the concentration of the anti-freeze protection solution (ethylene glycol or propylene glycol),
- Check the water flow via the heat exchanger pressure difference,
- Check the condition of the heat-transfer fluid or the water quality,
- Check for corrosion of the steel pipe work.
- Check the unit operating parameters, compare them with the previous values and note any changes,
- Keep an up-to-date service record specific to the refrigeration unit in question.
- Inside the electrical box, check that there is voltage on the connection terminals for the evaporator heaters and variable-speed drives (activate quick test mode to control the heaters).

IMPORTANT: Ensure all adequate safety measures are taken for all these operations: use appropriate PPE (personal protective equipment), comply with all applicable industry and local regulations, and use common sense.

13.3 - Level 3 (or higher) maintenance

Maintenance at this level requires specific skills/qualifications/tools and expertise that only the manufacturer, or one of its approved representatives, is able to ensure. This maintenance work relates to the following:

- Replacement of a major component (compressor, evaporator).
- Operations on the refrigerating circuit (handling refrigerant).
- Modification of factory-set parameters (change of application).
- Movement or disassembly of the refrigeration unit.
- Any operation due to proven lack of maintenance.
- Any operation covered by the warranty.

To reduce waste, the refrigerant and the oil must be transferred in accordance with applicable regulations, using methods that limit refrigerant leaks and with materials that are suitable for the products.

Any detected leaks must be repaired immediately.

The compressor oil that is recovered during maintenance contains refrigerant and must be treated accordingly.

Refrigerant must not be vented to the open air.

If the refrigerant circuit is opened for a period of up to one day, cap all openings. If open for longer, blanket the circuit with nitrogen.

13.4 - Tightening of the electrical connections

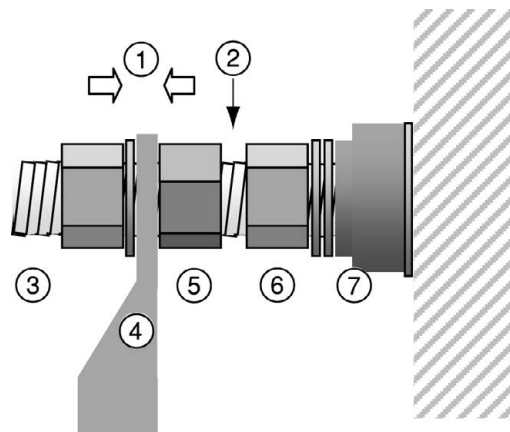
13.4.1 - Tightening torques for the main electrical connections

Component	Designation in the unit	Value (N.m)
Customer connections		
M10 screw-nut on phases	L1/L2/L3	49
M12 screw-nut on earth strip	PE	49
Compressor variable frequency drives		
M10 nuts on phases	GS*	29.5
M10 or M8 nut on earth	R/S/T U/V/W	29.5
M8 nuts on internal connections (fuses and busbars)	GND	14.5
Compressor connections		
M12 nuts on phases	EC*	23
M12 screw on ground	1/2/3	25
Variable frequency drives for the fans and hydraulic pumps		
Screws on phases and earth, VFD up to 11kW	GS*	2.5
Screws on phases and earth, 15kW VFD	GS*	4.5
Circuit breaker cage terminal screws		
Schneider type GV2	QM*	1.7
Schneider type IC60	QF100A	2
Schneider type IC60	QF*	3.5
ABB type S803S	QM10*	1.3
Switch cage terminal screws		
Schneider LC1K0610B7 AC3 6A	K*	1.3
Schneider LC1SKGC200B7 AC3 5A	K*	0.8
ABB type AS09	K*	1.2
Potential transformer	TC*	0.6
Control cabinet distributor		13

WARNING: The tightening of the connections at the compressor terminals requires special precautions. Refer to the section below.

13.4.2 - Connections on the compressor power terminals - precautions

These precautions need to be applied whenever an operation requires removal of the power conductors connected to the compressor power supply terminals.



1. Torque application to tighten the lug
2. Avoid contact between the two nuts
3. Lug tightening nut
4. Flat lug
5. Counter-nut
6. Terminal tightening nut
7. Isolator

The tightening nut on the terminal (6) supporting the isolator (7) must never be loosened, as it keeps the terminal secure and stops the compressor leaking.

13 - STANDARD MAINTENANCE

The phase lug ⁽⁴⁾ must be tightened applying the torque between the counter nut ⁽⁵⁾ and the tightening nut ⁽³⁾: during this operation a counter-torque must be applied at counter nut ⁽⁵⁾.

The lock nut ⁽⁵⁾ must not be in contact with the terminal securing nut ⁽⁶⁾.

13.5 - Tightening torques for the main bolts and screws

Screw type	Use	Value (N.m)
Metal screw D = 4.8mm	Condenser modules, fan protection grilles, panels	4,2
M8 H screw	Condenser modules, impeller mounting	18
Taptite M10 screw	Condenser modules, chassis, structure, economizer assembly, electrical panels, compressor and oil separator mounting	30
Taptite M6 screw	Pipe supports, condenser modules	7
M8 H screw	MCHE coil	14
M6 H screw	Pipe clip	10
M8 H nut	Oil separator mounting	14
M16 H stud	Compressor mounting	30
M10 H screw	Oil separator mounting	30
M16 H lock nut	Compressor mounting	23
M8 H screw	Filter unit cover	35
M12 H screw	Economiser-compressor flange	40
M16 H stud and nut	Discharge- oil separator flange	130
M8 H screw	Oil line-compressor flange	25
M16 H screw	exchanger water boxes	190
5/8 ORFS nut	Oil line	65
M12/M16 H nut	Victaulic 4" (M12 nut), and 5" (M16 nut) clamps on suction line	65
M16 H screw	Evaporator on chassis	130
Rotalock 1"3/4-12-UN	Liquid line	100
Rotalock 2"1/4-12-UN	Liquid line	145
M20 H nut	Victaulic 5 and 6" clamp on water pipe	45
M6 T30 torx screw	Control cabinet casing panel	4,5

13.6 - Condenser coil

We recommend that coils are inspected regularly to check the degree of cleanliness. This depends on the environment where the unit is installed, especially urban and industrial sites, and for units installed near trees that shed their leaves.

Recommendations for maintenance and cleaning of micro-channel coils (MCHE):

- Regularly cleaning the coil surface is essential for correct unit operation.
- Eliminating contamination and removal of harmful residue will increase the operating life of the coils and the unit.
- The maintenance and cleaning procedures below are part of the regular maintenance to increase the operating life of coils.
- Specific recommendation in case of snow: For long term storage, regularly check that no snow has accumulated on the coil.
- Clean the surface of the coil by spraying the coil regularly and uniformly from bottom to top, orienting the water jet at right angles to the surface. Do not exceed a water pressure of 6200 kPa (62 bar) or an angle of 45° to the coil. The nozzle must be at least 300 mm away from the coil surface.
- Clean and scrub the entire coil connections with a soft Nylon, PolyPro® or Tynex® brush and low pressure tap water.

Level 1 cleaning:

- Remove all foreign objects or fragments/debris attached to the coil surface or wedged between the chassis and the supports.
- Use a low-pressure dry air jet to remove all traces of dust from the coil.

Level 2 cleaning:

- Carry out the level 1 cleaning operations.
- Clean the coil using suitable products.

Use appropriate PPE including safety glasses and/or mask, waterproof clothes and safety gloves. It is recommended to wear clothing that covers the whole body.

Specific products approved by the manufacturer for cleaning coils are available from the manufacturer's spare parts network. The use of any other product is strictly prohibited. After the cleaning product is applied, rinsing with water is mandatory (see manufacturer's standard RW01-25).

IMPORTANT: Never use a pressure water spray without a large diffuser.

Concentrated and/or rotating water jets are strictly forbidden.

Never use a fluid with a temperature above 45°C to clean the air heat exchangers.

Correct and frequent cleaning (approximately every three months) will prevent 2/3 of the corrosion problems. Protect the electrical cabinets, the motorised ball valve and the VFDs during cleaning operations. Don't forget to remove protections after cleaning operations.

13.7 - Evaporator maintenance

Check that:

- the insulating foam is neither detached nor torn during works,
- the heaters and probes are operating and correctly positioned in their supports,
- the water-side connections are clean and show no sign of leakage.

13 - STANDARD MAINTENANCE

13.8 - Compressor maintenance

13.8.1 - Oil separator

Check that the heaters are operating correctly and that they are firmly attached to the oil separator.

13.8.2 - Oil filter change schedule

As keeping the system clean is critical to ensure its reliable operation, there is a filter in the oil pipe at the oil separator outlet.

The oil filter is specified to provide a high level of filtration (5 μ), necessary for ensuring the compressor has a long service life.

The filter should be checked after the first 500 hours of operation, and every subsequent 2000 hours. The filter must be replaced as soon as the pressure differential on the filter exceeds 200 kPa (2 bar).

The pressure drop on the filter is determined by measuring the pressure at the discharge (dp) and the oil pressure (op).

The difference in these two pressures will be the pressure drop on the filter, check valve, and solenoid valve.

The pressure drop on the check valve and solenoid valve is approximately 40 kPa (0.4 bar), which should be subtracted from the two oil pressure measurements to give the oil filter pressure drop.

13.8.3 - Compressor rotation control

Ensuring the compressor rotation is correct is one of the most critical considerations.

Reverse rotation, even for a short period, will have a considerable adverse effect on the compressor's reliability, and may even cause irreparable damage. The reverse rotation protection process must be capable of determining the direction of rotation and stopping the compressor within one second.

Reverse rotation is most likely to occur whenever the wiring at the compressor terminals has been modified.

To minimise any risk of reverse rotation, the following procedure must be applied.

Rewire the electrical wires to the compressor terminals as originally wired. Keep a counter torque on the lower nut on the power supply cable terminal lug when the latter is installed.

When a compressor is replaced, a low pressure switch must be installed temporarily as a safety measure on the high pressure part of the compressor. The purpose of this pressure switch is to protect the compressor against any wiring errors at the compressor terminals.

The electrical contact of the switch would be wired in series with the high pressure switch.

The pressure switch must remain in place until the compressor has been started and direction of rotation has been verified; at this point, the pressure switch can be removed.

The switch that has been selected for detecting reverse rotation is Carrier part number HK01CB001. This pressure switch opens the contacts when the pressure falls below 7 kPa. The pressure switch has a manual reset, which can be reset when the pressure exceeds 70 kPa once more. The pressure switch must be a manual reset type to prevent any risk of the compressor short cycling in the reverse direction.

13.9 - Variable frequency drive maintenance

WARNING: Before any work on the variable frequency drive, ensure that the circuit breaker/disconnect switch is open and there is no voltage present (reminder: the capacitors take approximately 20 minutes to discharge. This value is a guide, and may differ from one VFD to another: refer to the information given on the VFD to find out the precise value). Only appropriately qualified personnel are authorised to replace or make modifications to components inside the variable frequency drive.

During periodic inspections, check the condition of the ventilation grilles on the variable frequency drive door; ensure that they are not pierced, damaged or obstructed.

Replace the fan if a "fan replacement" alert/warning is displayed in the list of alarms.

For any other alarm or problem relating to the variable frequency drive, contact Carrier Service

In general, a fault with the variable drive can be corrected by repairing or replacing an internal component. If the complete variable drive needs to be replaced, its removal will require prior removal of the ventilation ducts and the top of the cabinet: refer to the "service guide" document. Similarly, precautions must be taken for handling, as the variable drives are very heavy (between 65kg and 120kg, depending on their size).

The variable frequency drives fitted on the 30KAV units do not require a dielectric test, even if being replaced: they are systematically checked before delivery. Moreover, the filtering components installed in the variable frequency drive can falsify the measurement and may even be damaged.

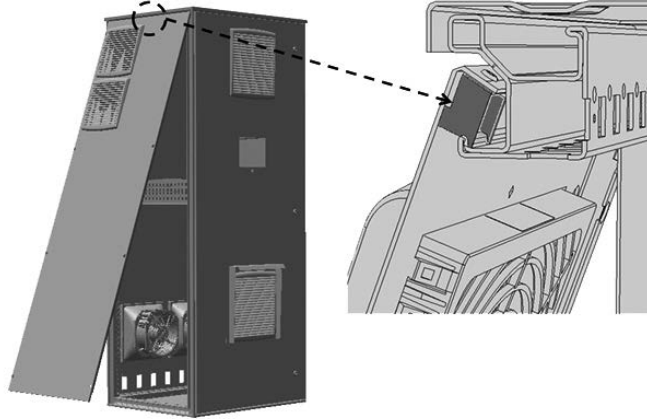
If the insulation of a component (compressor, cables, etc.) requires testing, the variable frequency drive must be disconnected from the power circuit.

13 - STANDARD MAINTENANCE

13.10 Precautions when fitting the casing panel to the side of the control cabinet

The control cabinet casing panel may need to be removed to access the back of the internal partition which houses the electrical components. In this case, precautions must be taken when refitting to ensure the panel is not deformed, as this would irreparably damage the sealing of the cabinet:

The upper section of the casing panel is equipped with a hook which must be engaged in the cabinet's frame: before it is screwed in, the panel should stay in place on the cabinet by itself, and assembly should not require a second person to be present.



14 - UNIT START-UP CHECKLIST FOR INSTALLERS PRIOR TO CONTACTING CARRIER SERVICE

Preliminary information

Job name:
Location:
Installing contractor:
Distributor :

Equipment

Model # :

Compressors and variable drives

Circuit A	Circuit B
Model no.	Model no.
Serial number	Serial number
Motor #	Motor #

Compressor variable frequency drive	Fan variable frequency drive
Model no. (circuit A/B):	Model no. (circuit A/B):
Serial number (circuit A/B) :	Serial number (circuit A/B) :

Evaporator

Model # :
Serial number

Condenser section

Model # :

Unit options and additional accessories

.....
.....

Is there any shipping damage?
If so, where?
Will this damage prevent unit start-up?

- The unit is installed level
- The power supply corresponds to the unit nameplate
- The electrical circuit wiring has been sized and installed correctly
- The unit earth cable has been connected
- The electrical circuit protection has been sized and installed correctly
- All the customer connection terminals (power) are tightened
- All the chilled water valves are open
- The chilled water pipes are correctly connected
- The air present in the chilled water circuit has been purged
- The chilled water pump is operating with the correct rotation. Check the phase sequence of the electrical connection. In the case of a unit with the hydraulic module, use the pump test function (refer to the 30KAV manual control for a more detailed explanation).
The machine will be deenergised once the pump test is complete.
- Circulate chilled water in the hydraulic circuit for at least 2 hours, then remove, clean, and refit the screen filter. The machine is deenergised once the pump test is complete.
- The water inlet pipe at the evaporator comprises a filter with a mesh size of 1.2 mm (20 mesh)

14 - UNIT START-UP CHECKLIST FOR INSTALLERS PRIOR TO CONTACTING CARRIER SERVICE

Unit start-up

- a. The oil heaters have been energised for at least 24 hours
- b. All the discharge and liquid valves are open
- c. All suction valves are open, if fitted
- d. All the oil line valves and economiser valves (if fitted) are open
- e. Any leaks have been located. The unit has been checked for leaks (including couplings)
 - f1. on the whole unit
 - f2. on the couplings
 Locate and report any refrigerant leaks

.....

- g. Check voltage imbalance:

	AB	AC	BC
Average voltage =	V	
Maximum deviation =	V	
Voltage imbalance =	%	

- h. Voltage imbalance less than 2%

WARNING: Operating the chiller with an incorrect supply voltage or excessive phase imbalance constitutes misuse which will invalidate the Carrier warranty. If the phase imbalance exceeds 2% for voltage, or 10% for current, contact your local electricity supplier immediately and ensure that the chiller is not switched on until corrective measures have been taken.

Evaporator water loop check

- Water loop volume = litres
- Calculated volume = litres
- 3.25 litres/nominal kW capacity for air conditioning
- 6.5 litres/nominal kW capacity for cooling in industrial processes
- Correct loop volume established
- Proper loop corrosion inhibitor included..... litres of.....
- Correct loop frost protection included (if required)..... litres of.....
- The installation pipework is equipped with heater cables, if exposed to temperatures below 0°C.
- The water inlet pipe at the evaporator comprises a 20 mesh filter with a mesh size of 1.2 mm

Evaporator pressure drop check

- Evaporator inlet =kPa
- Evaporator outlet =kPa
- Outlet - inlet =kPa

WARNING: Calculate the evaporator pressure drop and use it with the performance tables (in the product documentation) to determine the flow rate in litres per second. Check the unit's minimum flow rate.

- Total =l/s
- Nominal kW =l/s
- The total is greater than unit's minimum flow rate
- The total corresponds to the specifications of.....l/s

WARNING: Once the unit is energised, check for alarms (see the 30KAV control menu to check the alarm menu).

Report all alarms :
 Special notes:

To start up the chiller

WARNING: Be sure that all service valves are open, and that the pump is on before attempting to start this machine. Once all checks have been made, start the unit.

- The unit starts and operates correctly

14 - UNIT START-UP CHECKLIST FOR INSTALLERS PRIOR TO CONTACTING CARRIER SERVICE

Temperatures and pressures

WARNING: *Once the unit has been operating for a while and the pressures have stabilised, record the following:*

- Evaporator water inlet
- Evaporator water outlet
- Ambient temperature
- Circuit A suction pressure
- Circuit B suction pressure
- Circuit A discharge pressure
- Circuit B discharge pressure
- Circuit A suction temperature
- Circuit B suction temperature
- Circuit A discharge temperature
- Circuit B discharge temperature
- Refrigerant liquid pressure and temperature, Circuit A
- Refrigerant liquid pressure and temperature, Circuit B
- Subcooling value, Circuit A
- Subcooling value, Circuit B



Administrative number: 10200, 11.2017 - Cancels number: 10200, 08.2017.
The manufacturer reserves the right to make any changes, without notice



CARRIER participates in the ECP programme for LCP/HP
Check ongoing validity of certificate:
www.eurovent-certification.com
www.certiflash.com



Quality and Environment
Management Systems
Approval

Manufactured by Carrier SCS, Montluel, France
Printed in the European Union